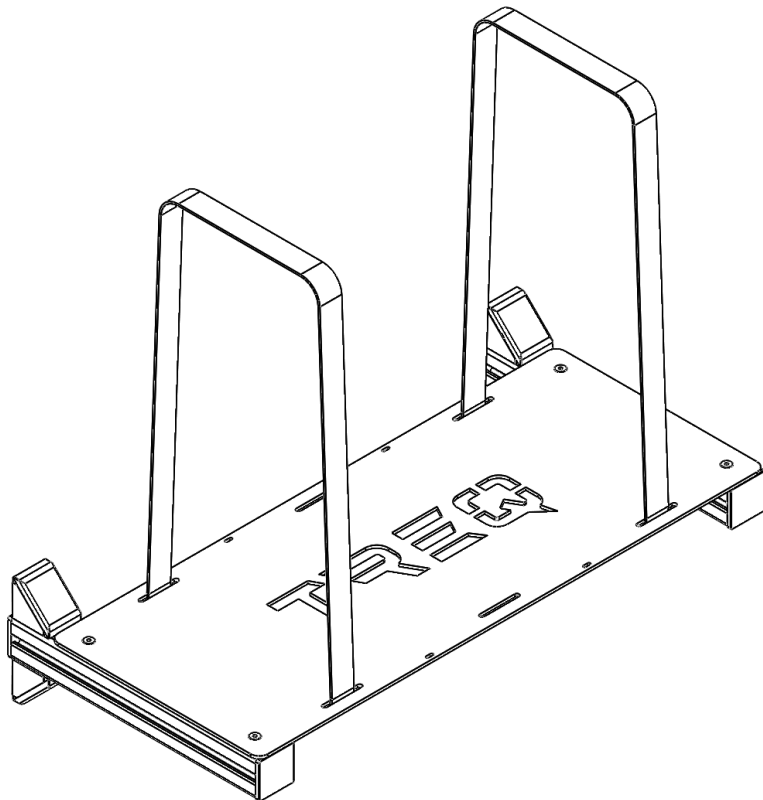
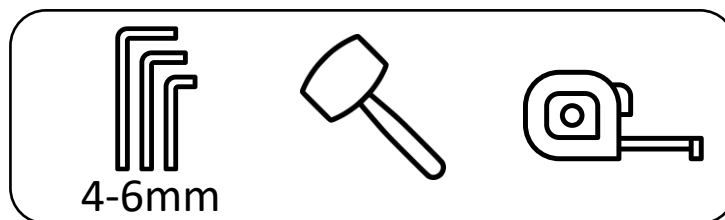


COMPUTER MOUNT

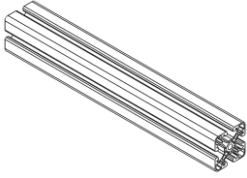
INSTRUCTION MANUAL



REQUIRED TOOLS:

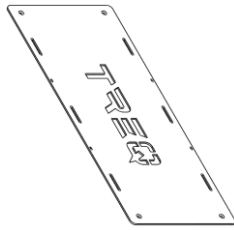


1



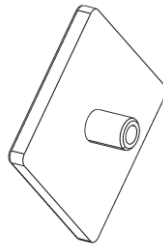
Profile 4040 L=280

2x



Bracket

1x



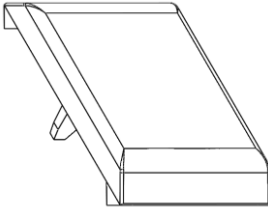
Cover 4040

4x



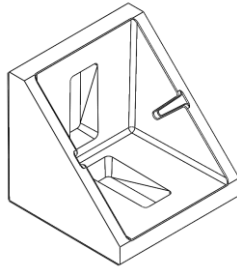
Strap

2x



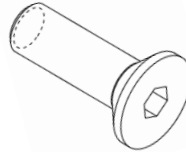
Corner Cover 4040

4x



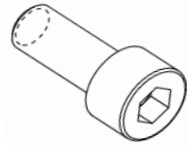
Corner 4040

4x



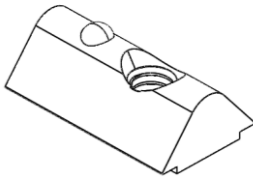
M5x12
Black

4x



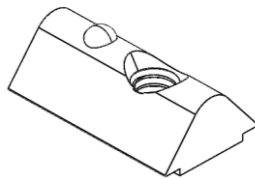
M8x16

8x



Click-in Nut M5

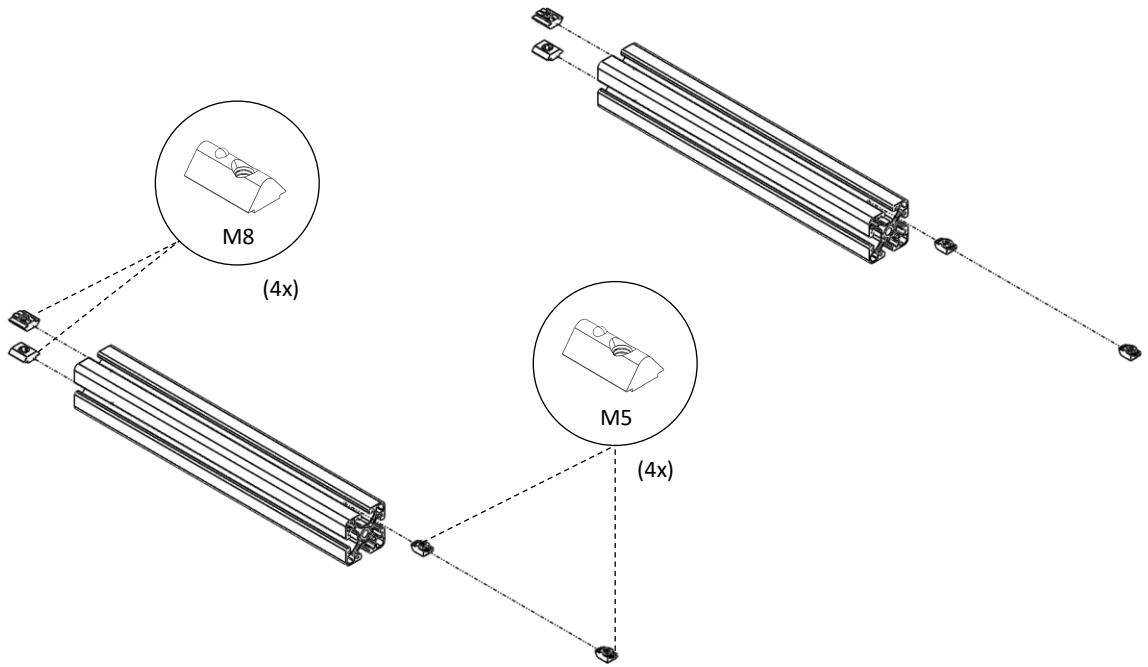
4x



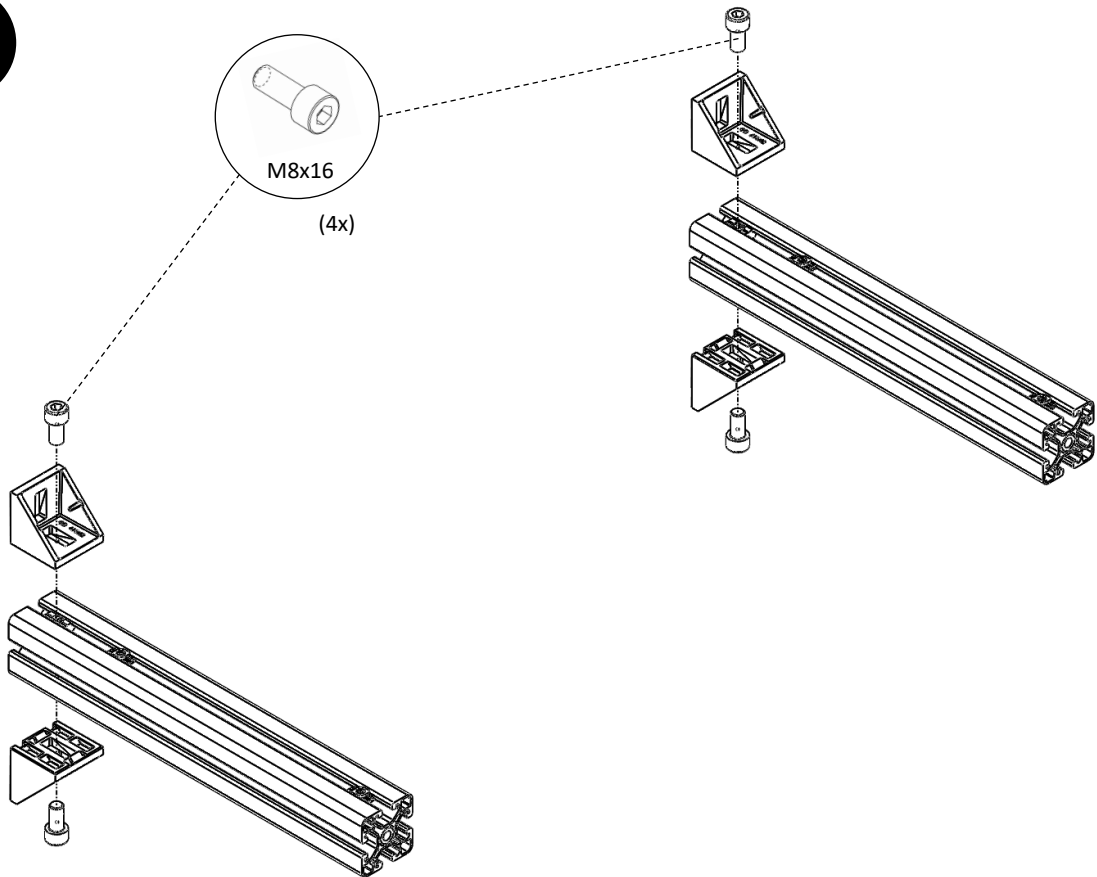
Click-in Nut M8

8x

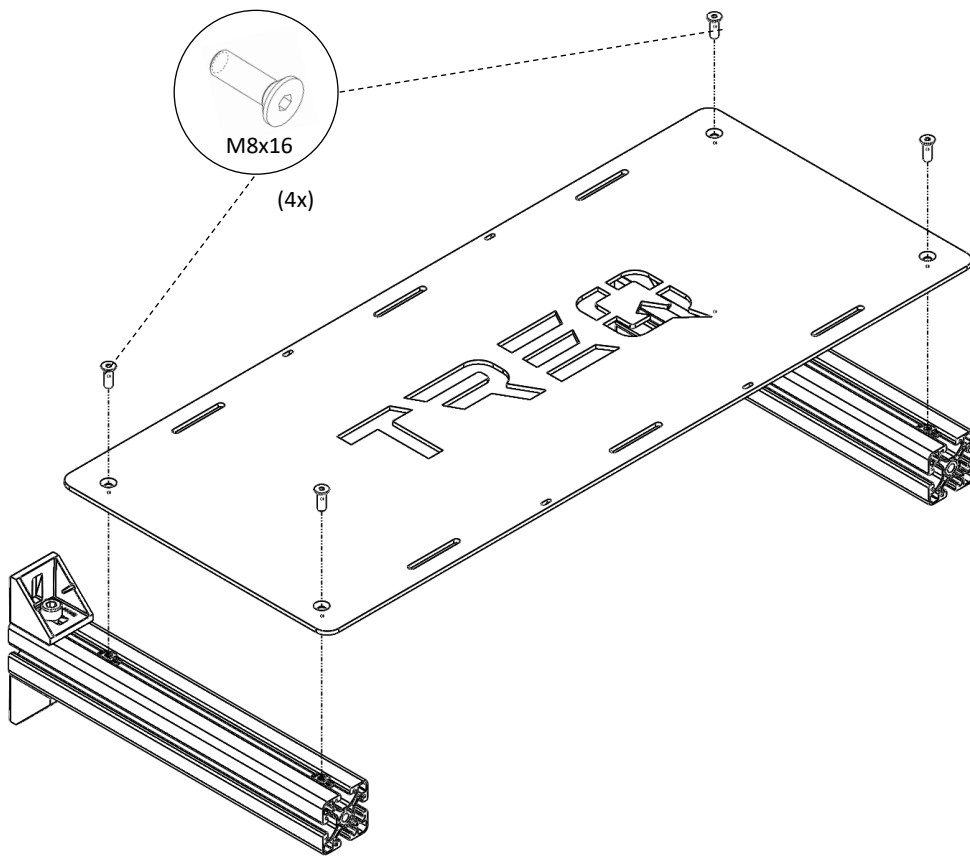
2



3

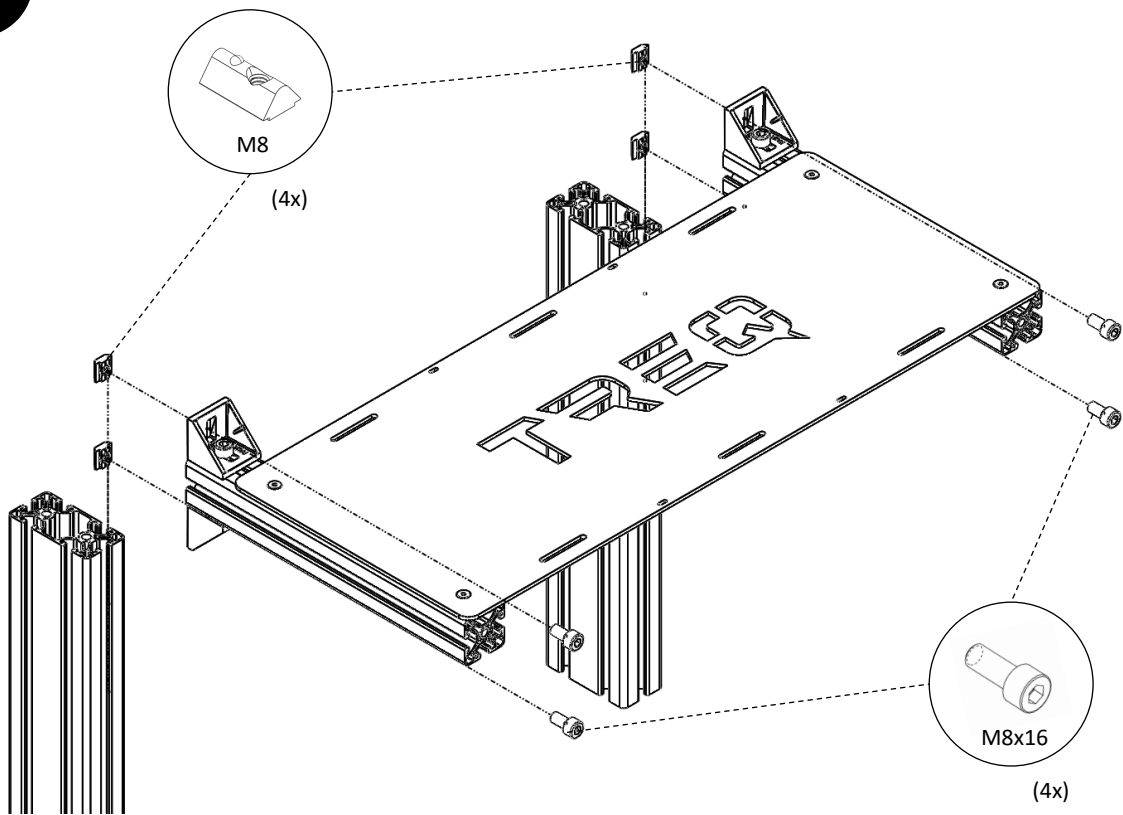


4

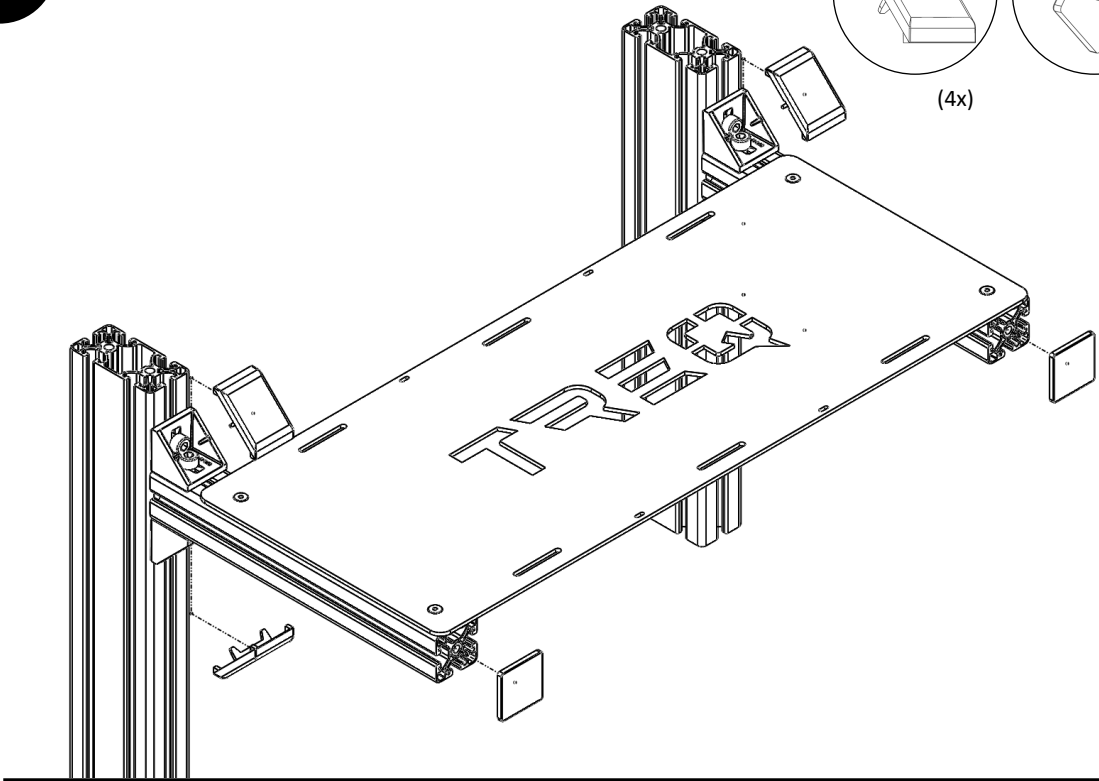
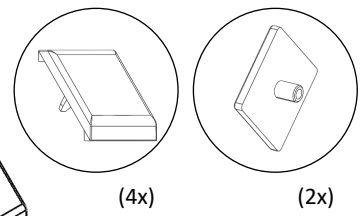


5

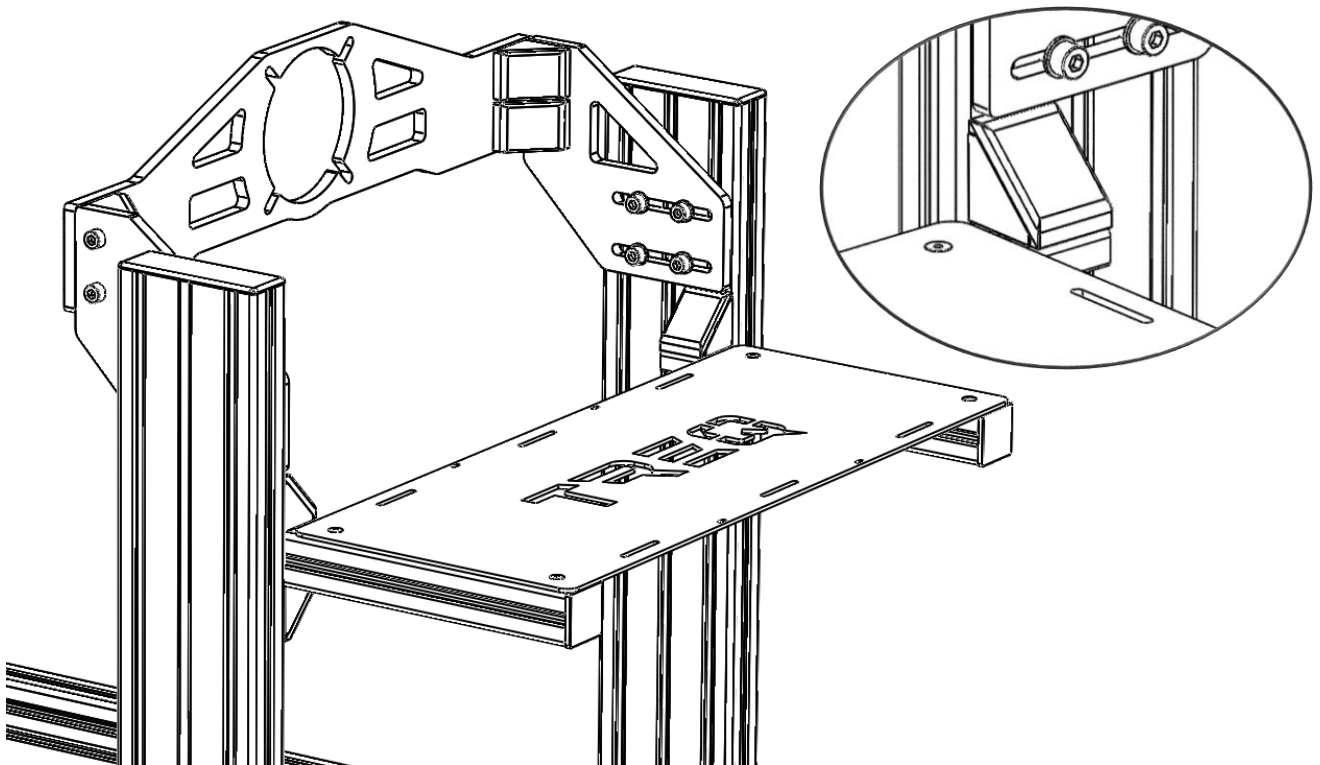
Mounting position on Treq One. For mounting on a Treq Ace, please see the next page.



6



For mounting the computer mount on a Treq Ace, please rotate all corner brackets 90 degrees on the L=280 profiles and mount them inside the uprights of the Ace.



7

Optionally, use 1 or 2 of the provided straps to secure your computer or console to the plate.

