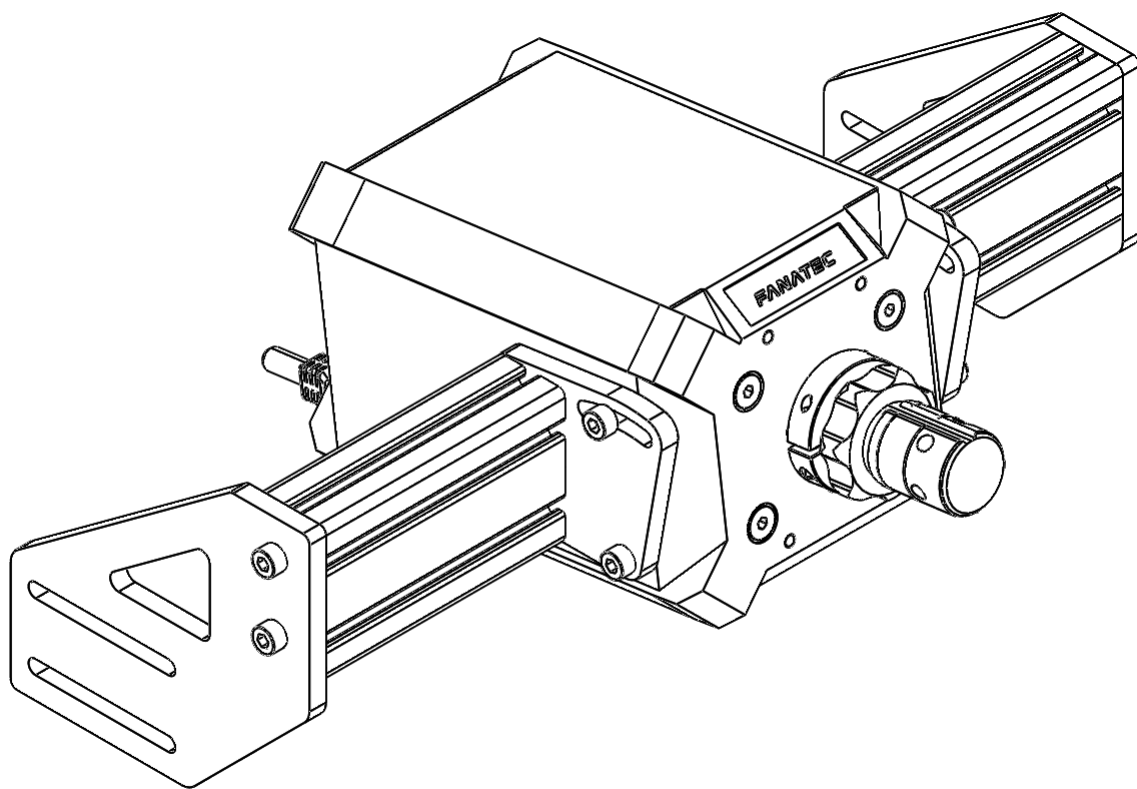
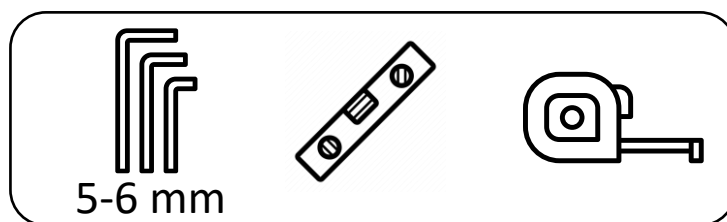


FANATEC DD1 & DD2 SIDE MOUNT

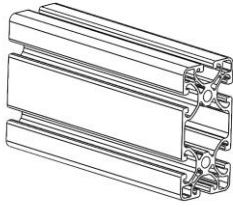
INSTRUCTION MANUAL



REQUIRED TOOLS:

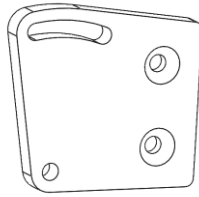


1



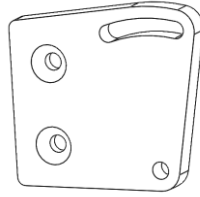
Profile 8040

2x



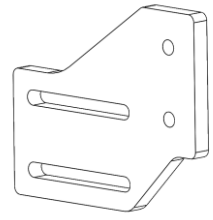
Side Mount Right

1x



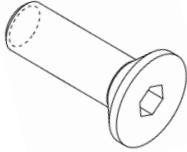
Side Mount Left

1x



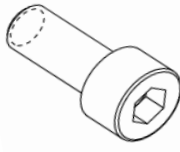
Mounting Plate

2x



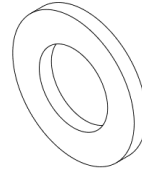
M8x20 (Black)

4x



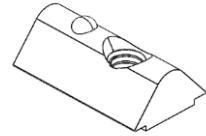
M8x20 (Black)

16x



Plain Washer M8

10x

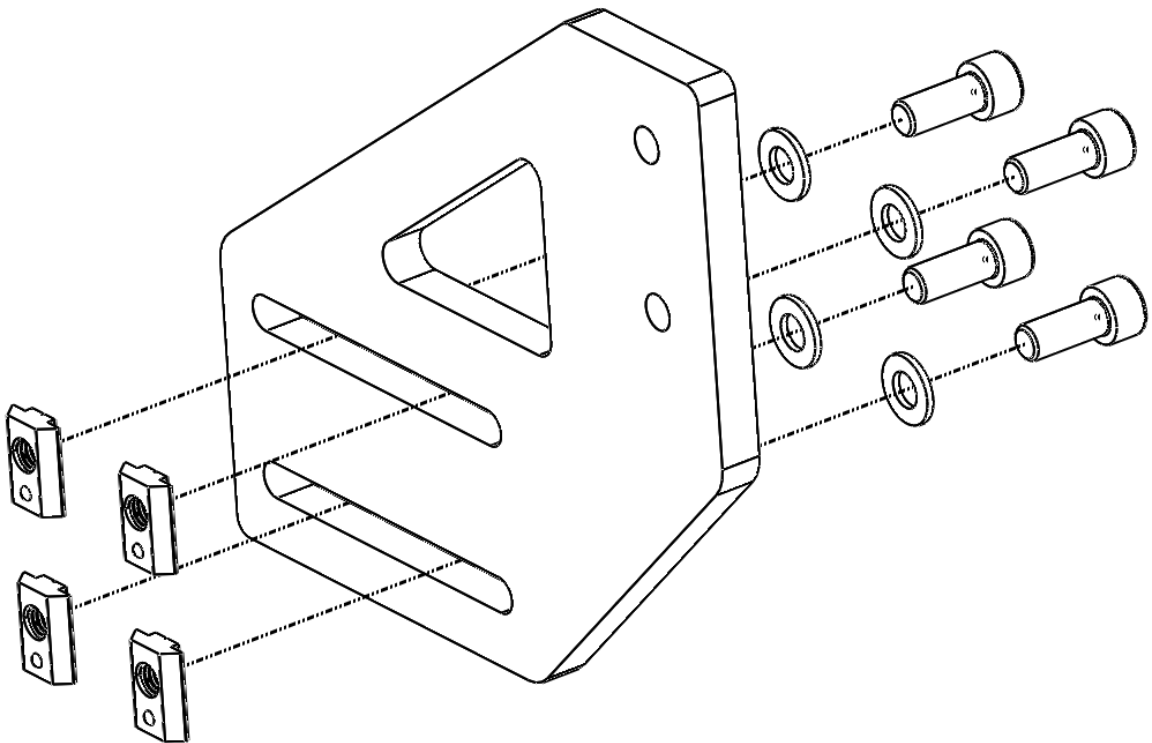


Click-in Nut M8

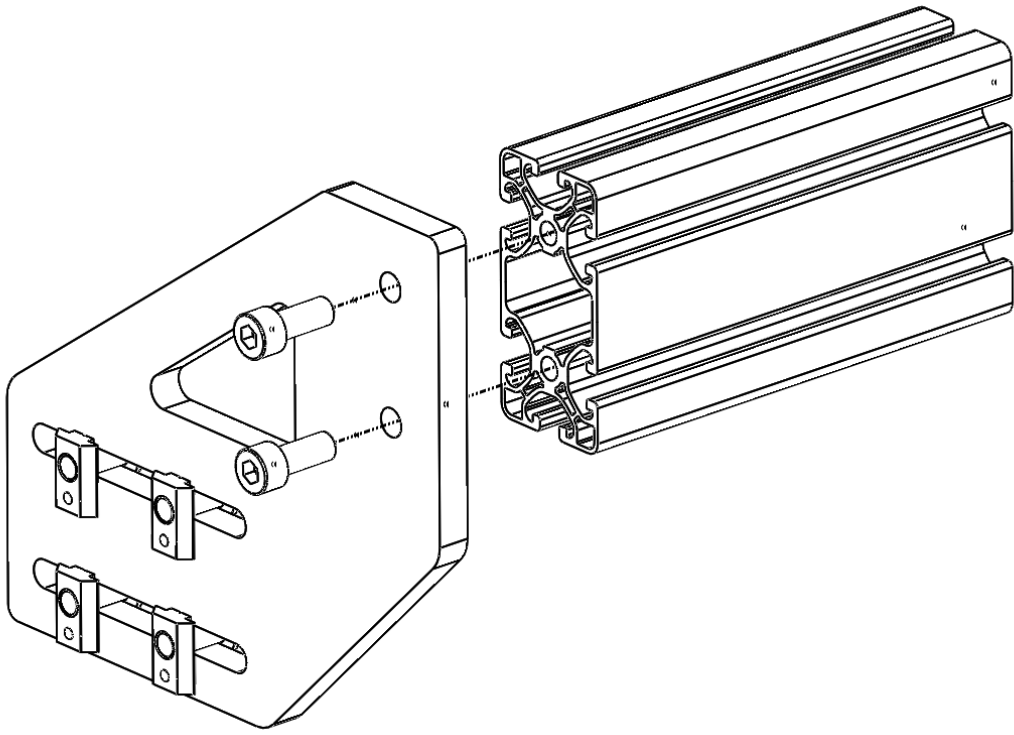
8x

2

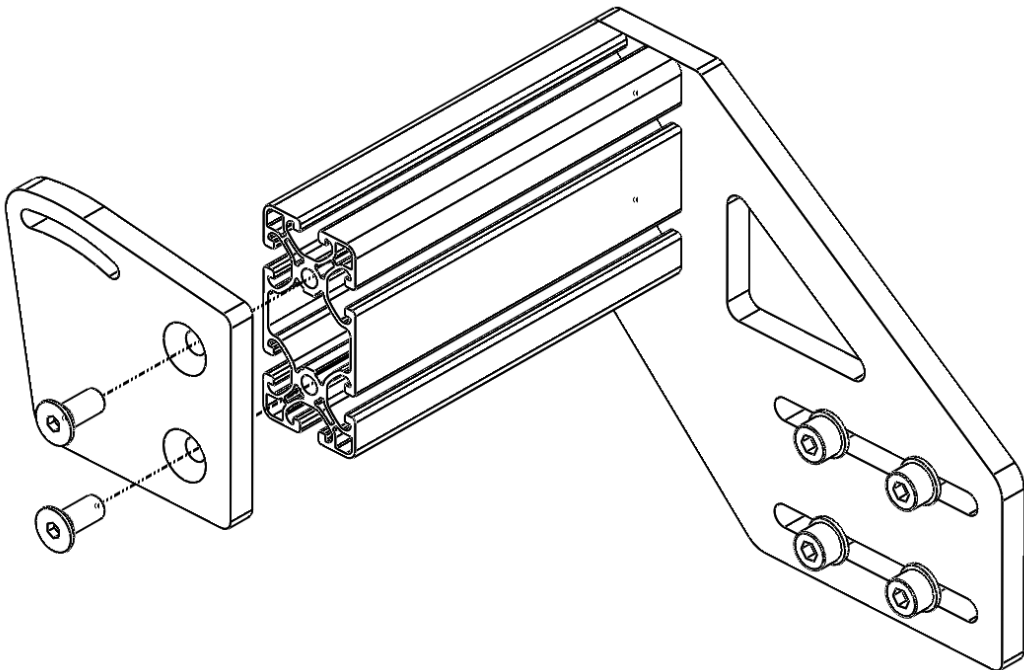
Mount both 'Mounting Plates' to the upright profiles of your rig.



3



4



5

