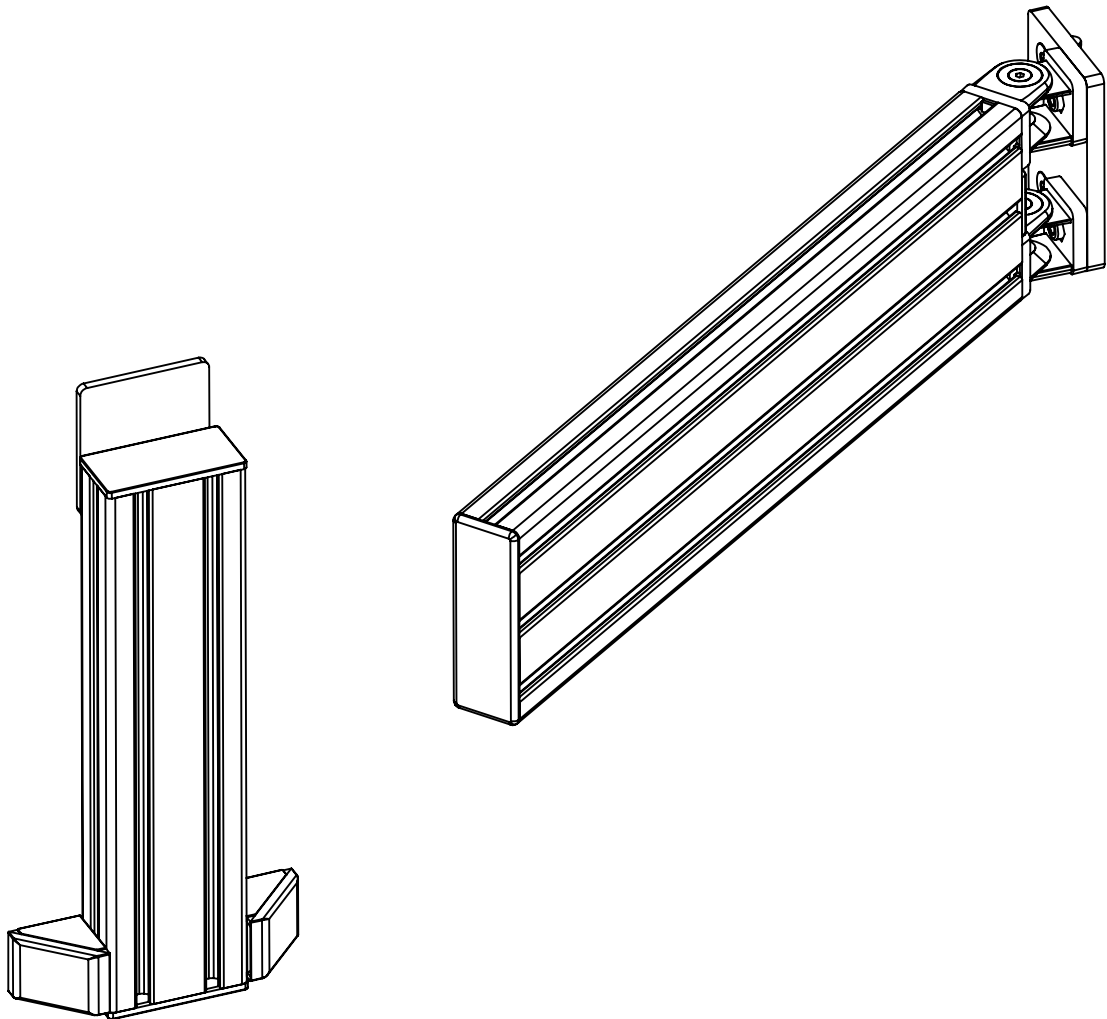
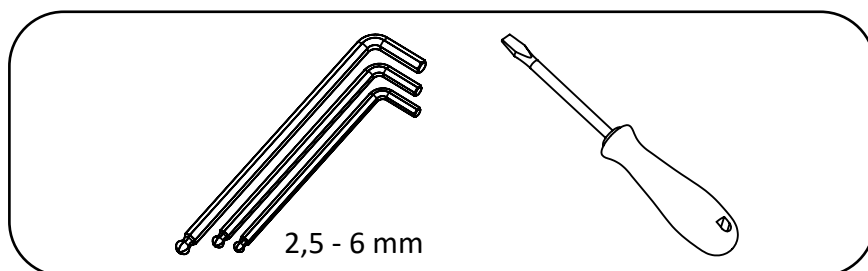


# PIVOT FRAME

## INSTRUCTION MANUAL

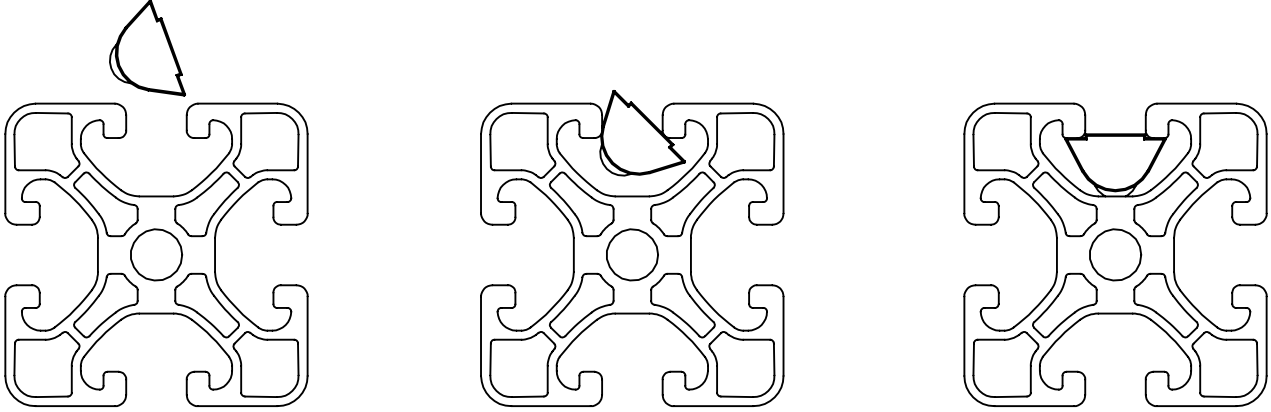


### REQUIRED TOOLS:

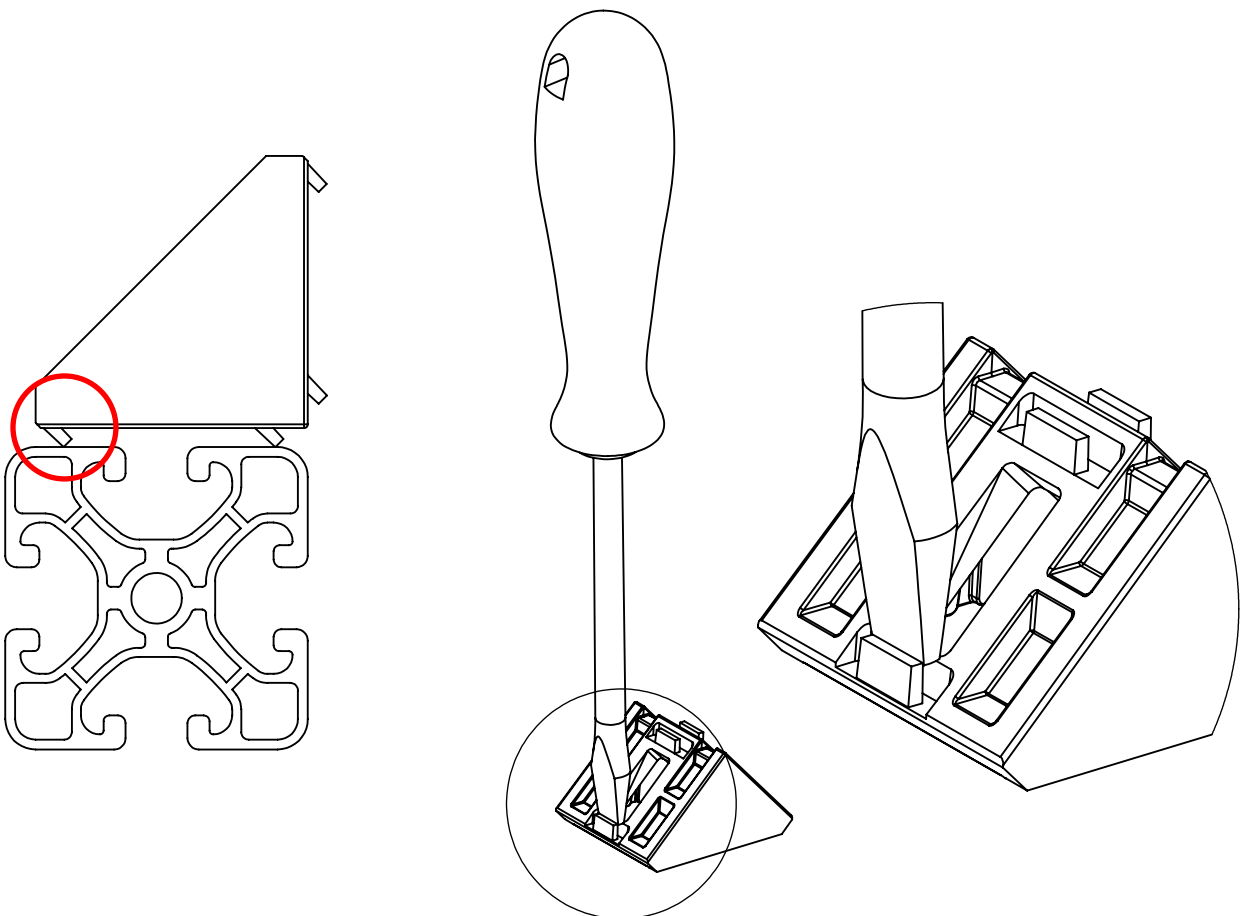


# GENERAL INSTRUCTIONS

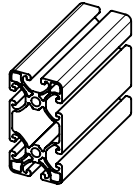
The easiest way to mount the T-Slot Click-in-Nuts, is to slide them in from one side of the profile, with the ball facing down. But don't worry if you need to put in a click-in-nut in a profile which has both ends already closed: it is also possible to push them in the T-slot anywhere you like!



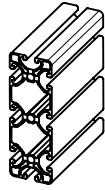
The corner brackets feature 4 little hooks to stop the bracket from rotating once it is mounted on a profile. But on some places these corner brackets need to be placed on a 90° angle of the T-slot. In these situations it is recommended to break off 2 of the hooks, which is easily done with a screwdriver or a pincer:



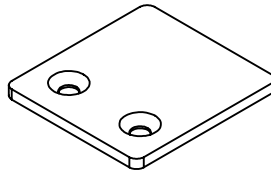
# INCLUDED ITEMS



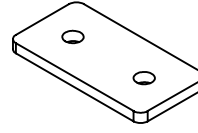
8040 L=320  
1x



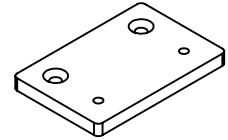
12040 L=500  
1x



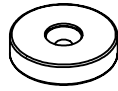
Magnet Plate  
1x



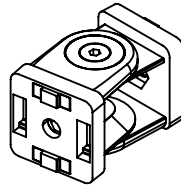
Spacer Plate  
1x



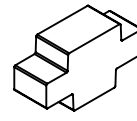
Offset Plate  
1x



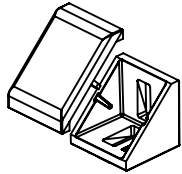
Magnet  
1x



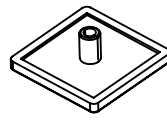
Hinge  
2x



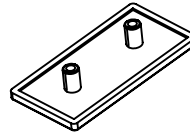
Hinge Cross  
4x



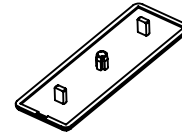
Corner Bracket  
2x



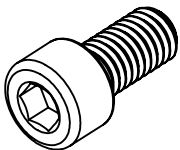
Cover 4040  
1x



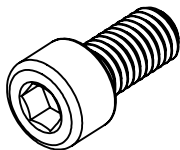
Cover 8040  
2x



Cover 12040  
1x



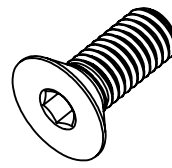
M8x16  
4x



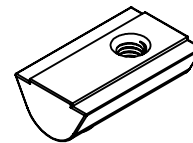
M8x16 Black  
4x



M8 T-Nut  
8x



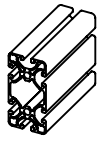
M8x20  
4x



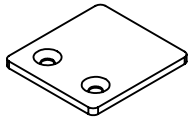
M4 T-Nut  
1x



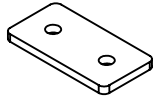
M4x12  
1x



8040 L=320  
1x



Magnet Plate  
1x



Spacer Plate  
1x

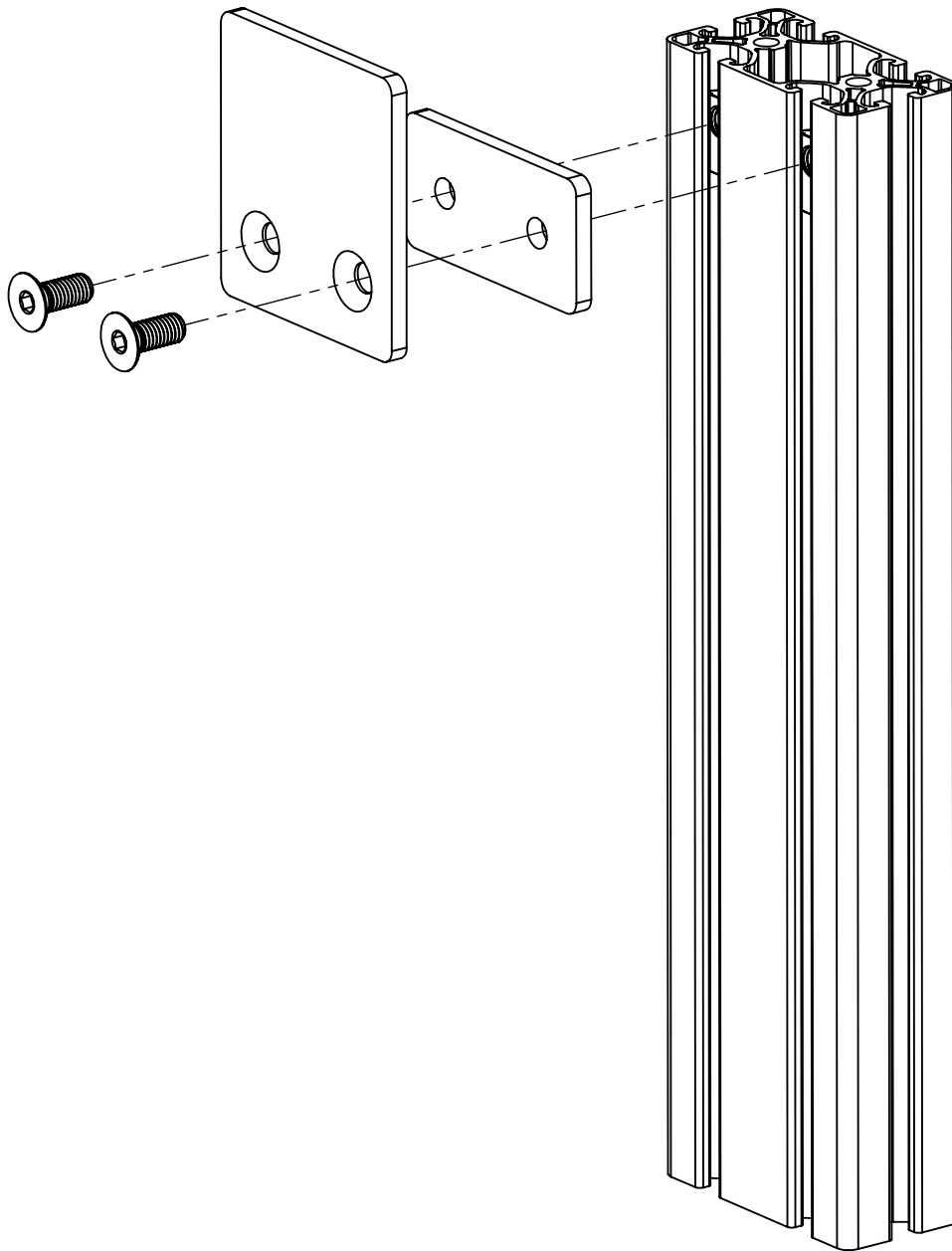


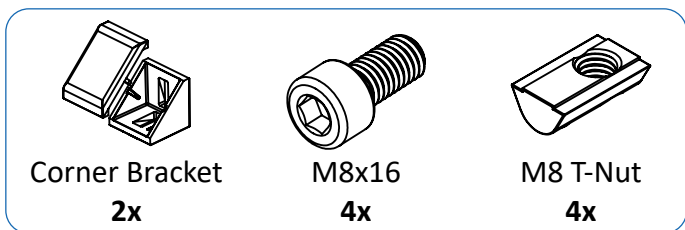
M8 T-Nut  
2x



M8x20  
2x

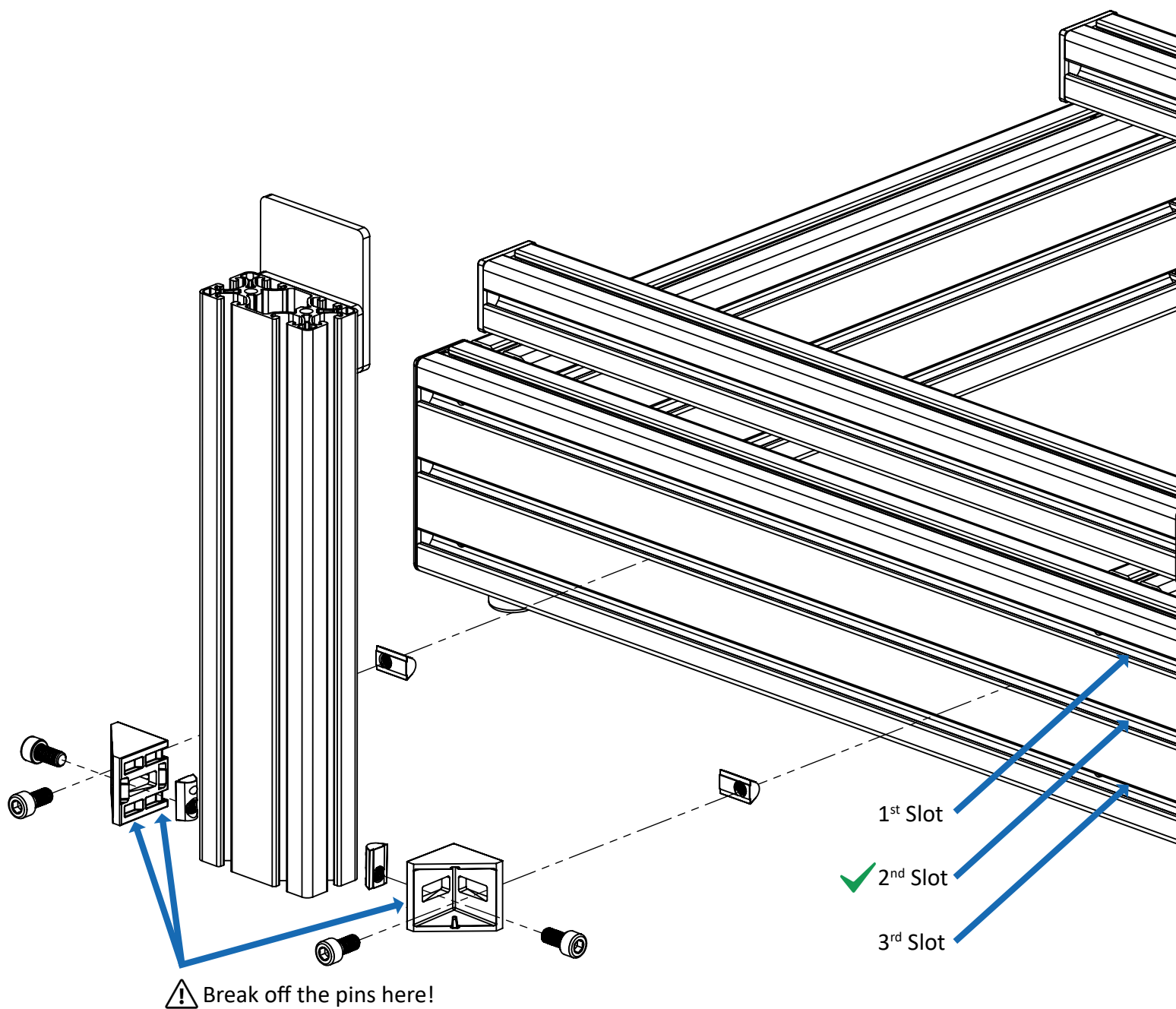
1

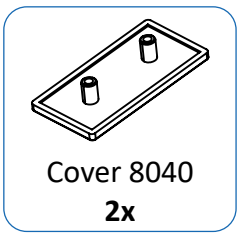




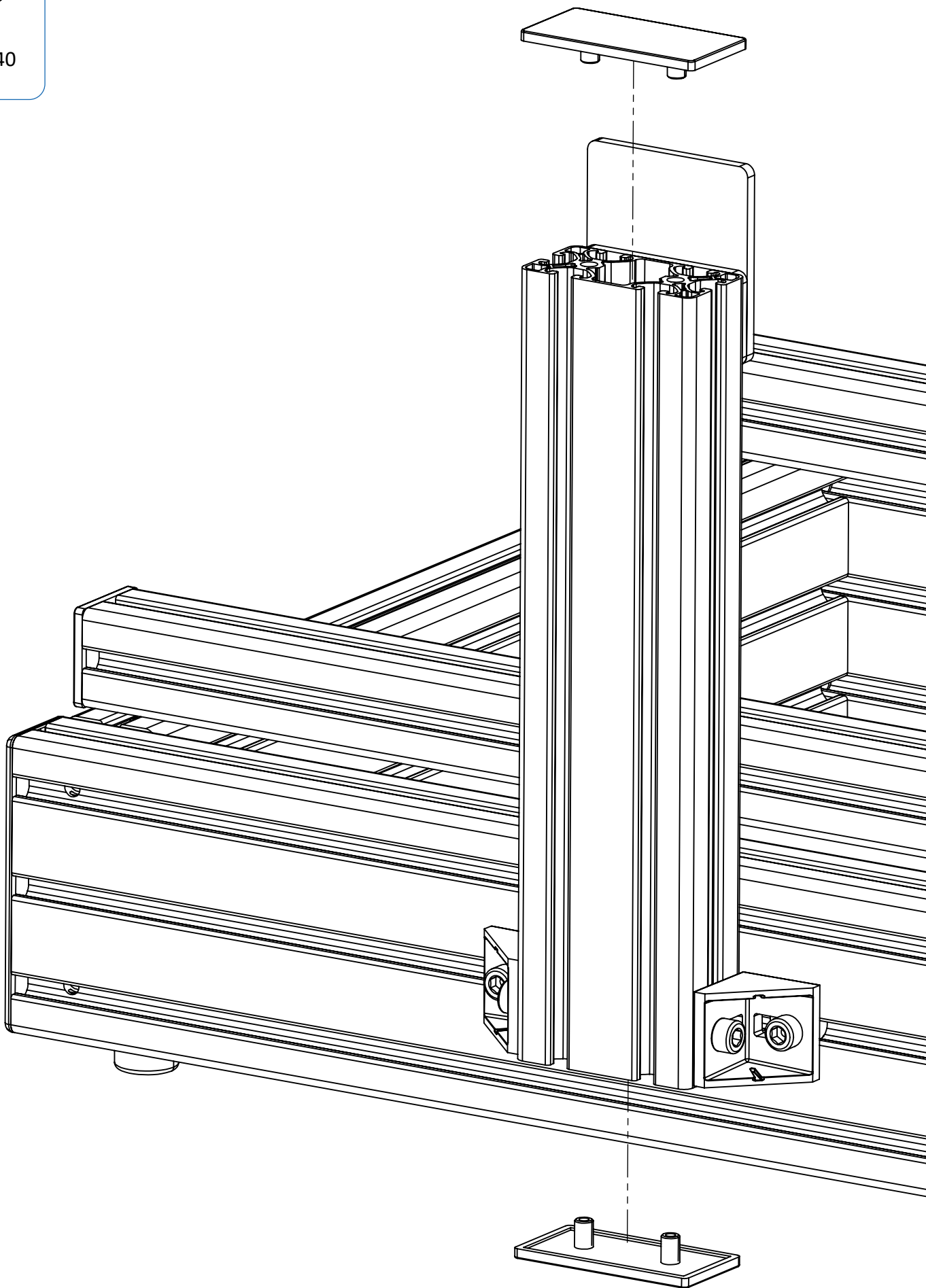
2

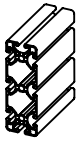
Attach the assembly to the 2nd slot of the horizontal profile of your rig, counted from the top. Do **not tighten** these screws yet! You will do so in step 8





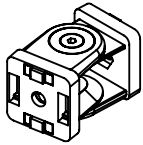
3





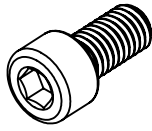
12040 L=500

1x



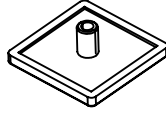
Hinge

2x



M8x16 Black

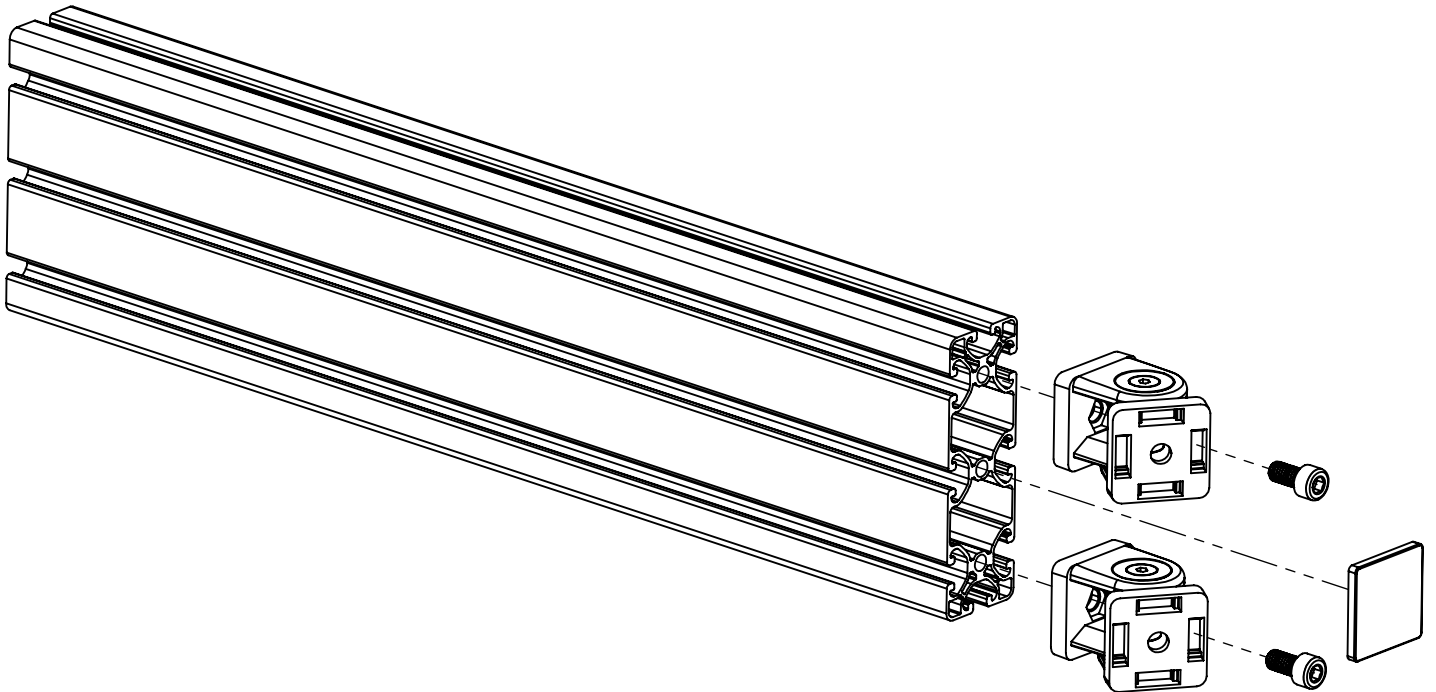
2x

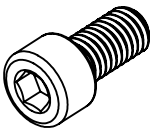


Cover 4040

1x

4

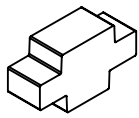




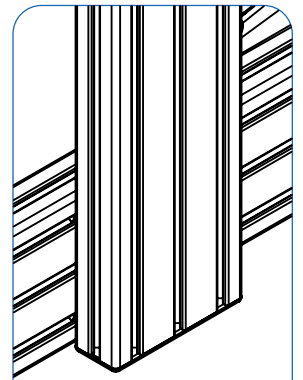
M8x16 Black  
2x



M8 T-Nut  
2x



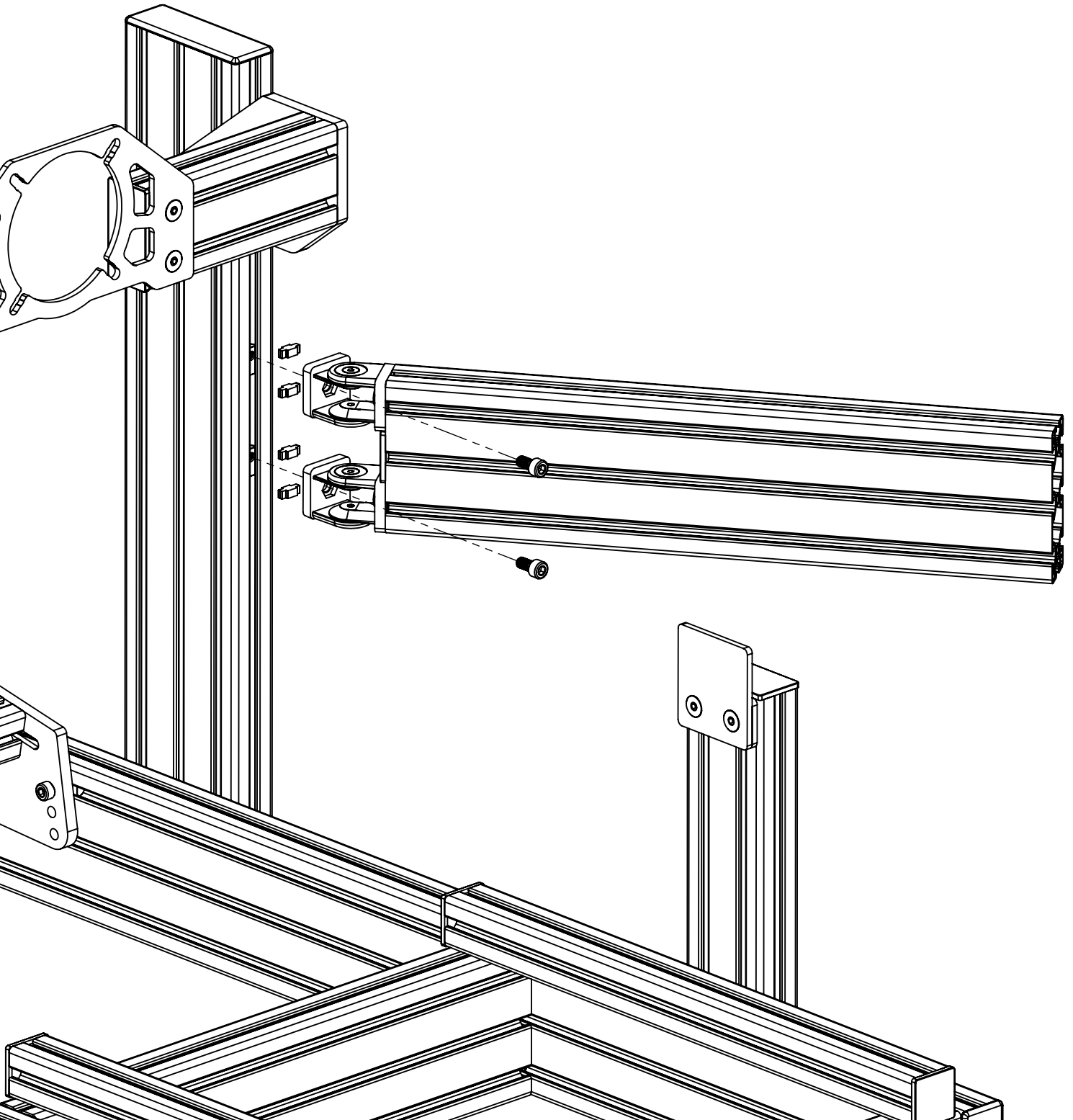
Hinge Cross  
4x

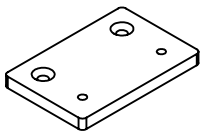


Uprights on the side of the rig.

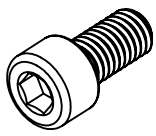
5a

Perform this step if you are mounting the Pivot Frame on a rig with its upright profiles on the side of the rig, like the Treq CXX or Ace. Go to [5b](#) if the uprights are on top of the horizontal profiles.





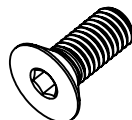
Offset Plate  
1x



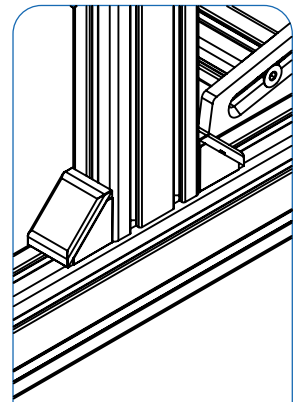
M8x16 Black  
2x



M8 T-Nut  
2x



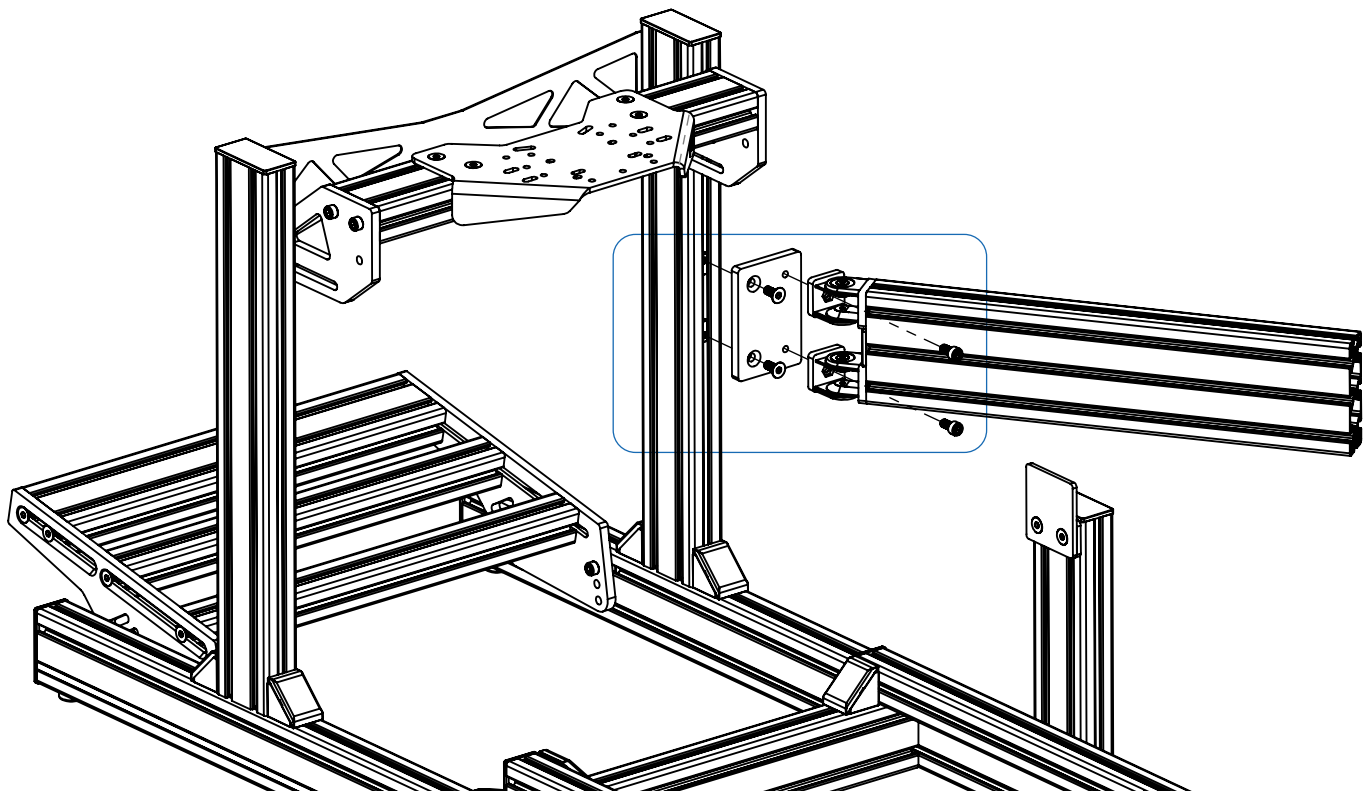
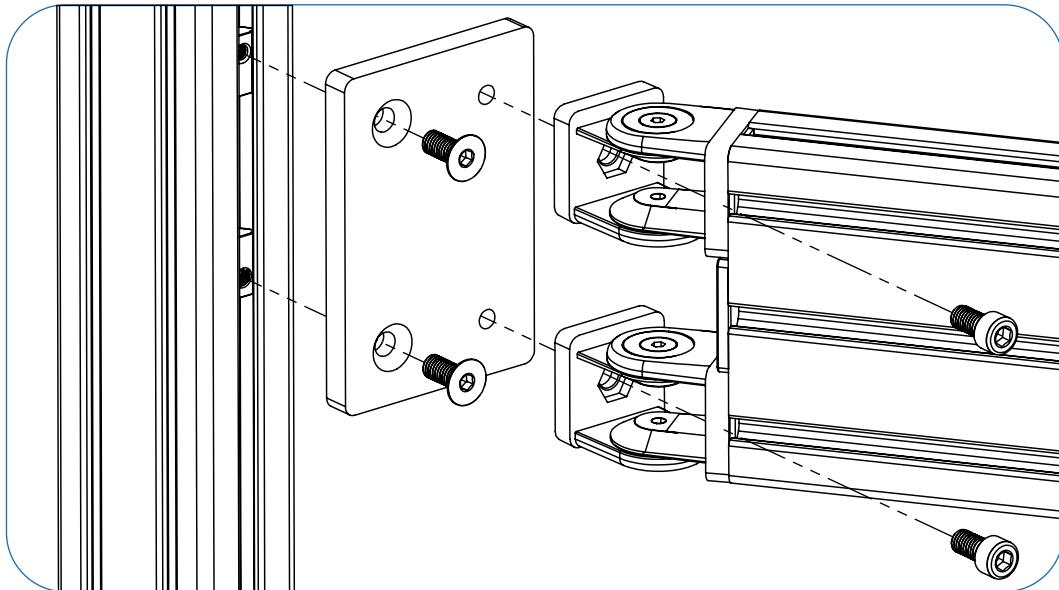
M8x20  
2x



Uprights on top.

**5b**

Perform this step if you are mounting the Pivot Frame on a rig with its upright profiles on top of the long vertical profiles, like the Treq One. Skip this step if you have performed **5a**





Magnet  
1x

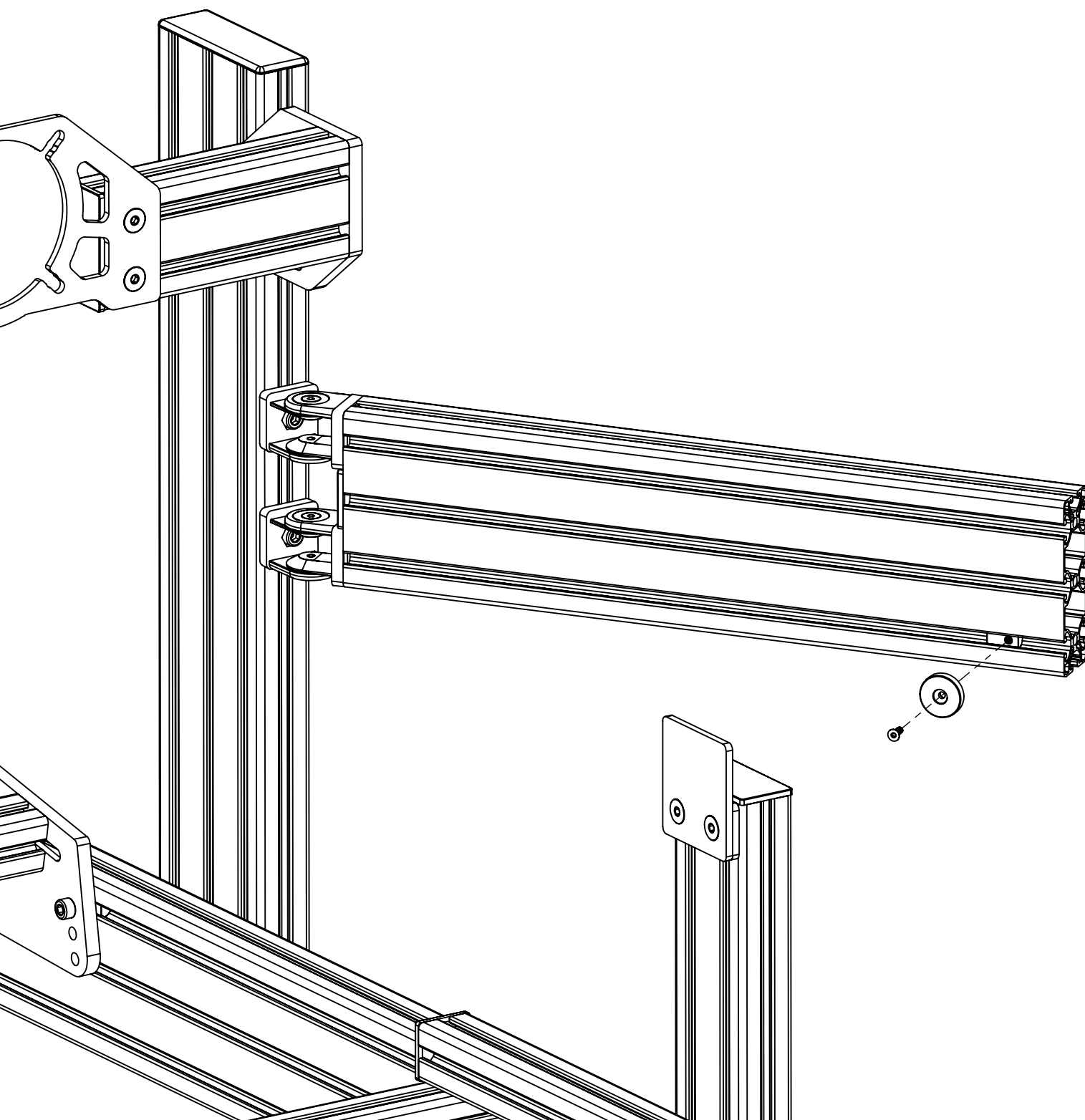


M4 T-Nut  
1x



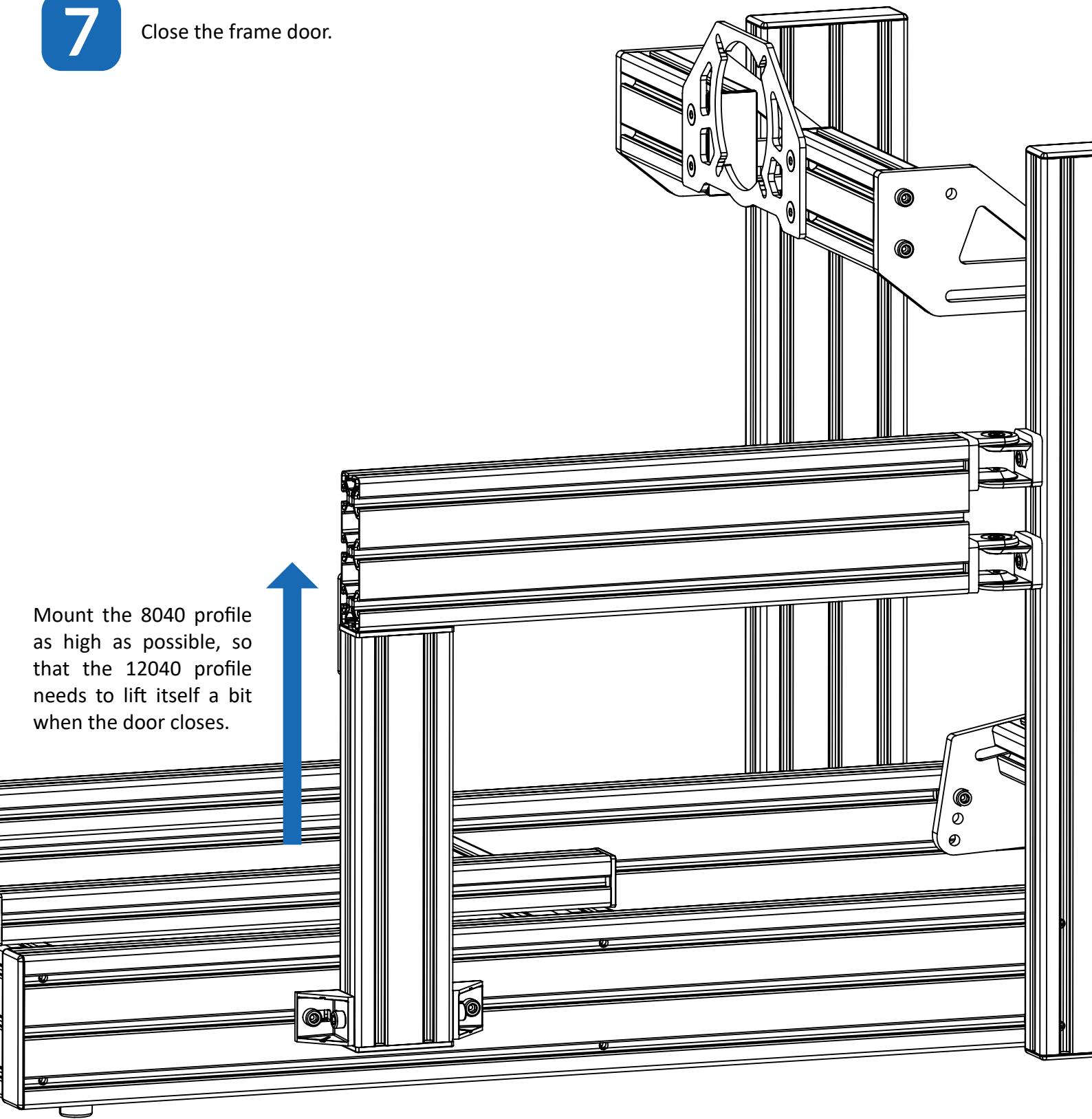
M4x12  
1x

6



7

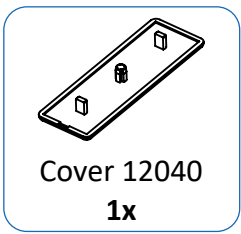
Close the frame door.



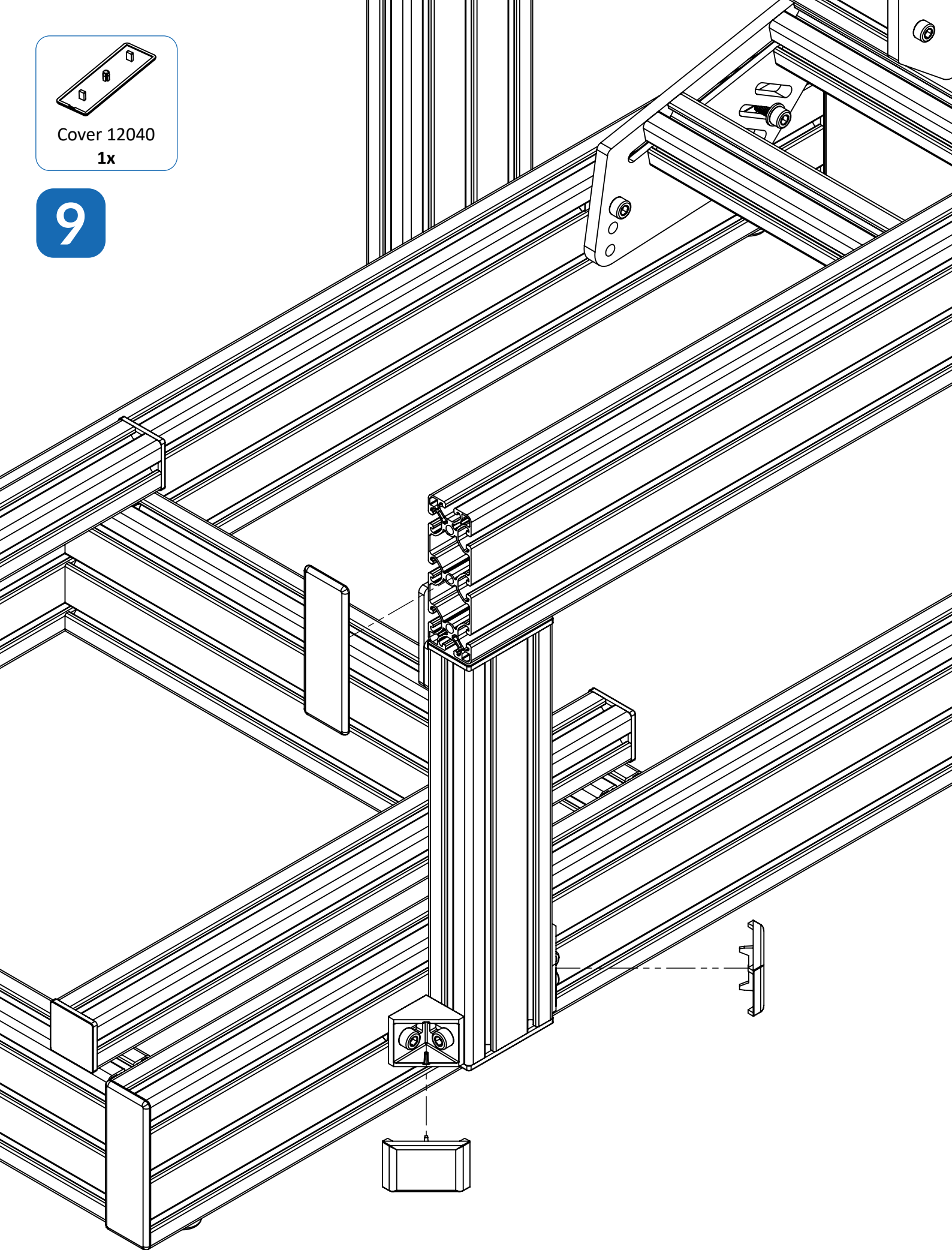
Mount the 8040 profile as high as possible, so that the 12040 profile needs to lift itself a bit when the door closes.

8

Secure the corner bracket screws, with the 8040 L=320 pushing against the 12040 L=500. If you want to change the height of the Pivot Frame, loosen the hinges and the corner brackets, and drop the Pivot Frame gently.



9

A blue square icon containing the white number 9, indicating the step number in the assembly process.

# QUESTIONS & COMMENTS

If you have any questions about building our products, missing items, or mistakes in this manual, please contact us! We reply quickly via our email [info@treq-sim.com](mailto:info@treq-sim.com), and this is the #1 way to go if your question involves personal information. Need help from our community? Or you just want to show your new build to the world? Join our Discord and connect with hundreds of other sim racing enthusiasts!

## CONTACT FORM



[www.treq-sim.com/contactus/](http://www.treq-sim.com/contactus/)

## DISCORD



[www.discord.gg/8ezbgz3q45/](http://www.discord.gg/8ezbgz3q45/)

# LEAVE A REVIEW

Now that you are done building it is a great time to share your experience with us and even more importantly, other fellow sim-racers!

Recommending us to friends, or leaving a review on your preferred website and letting other people know what you think of us, would help us a lot! We are a small company that has its main focus on creating and delivering great products and helping customers quickly, and not on advertising and marketing.

Kind regards, team Treq