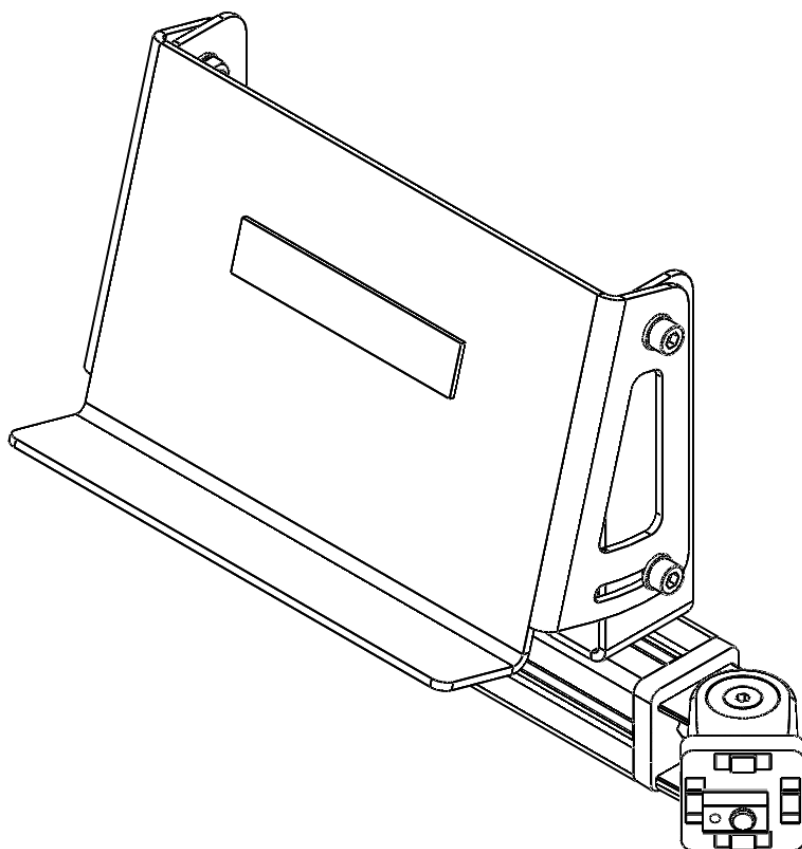
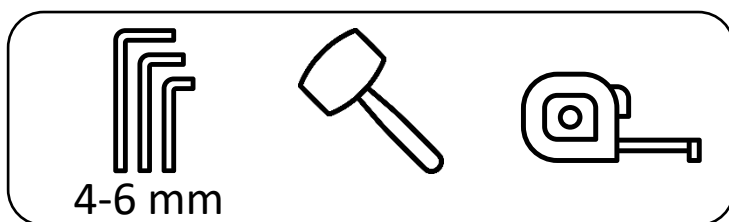


# BUTTON BOX HOLDER

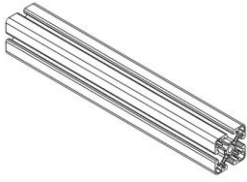
## INSTRUCTION MANUAL



### REQUIRED TOOLS:

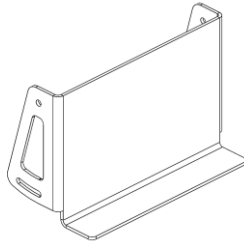


**1**



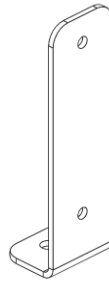
Profile 4040 L=220

**1x**



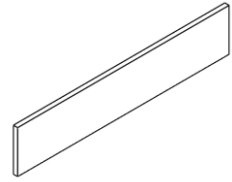
Bracket

**1x**



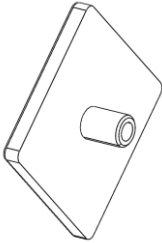
Bracket

**2x**



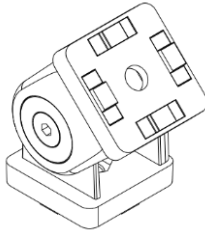
Tape

**1x**



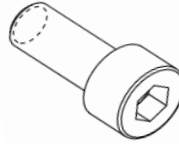
Cover 4040

**1x**



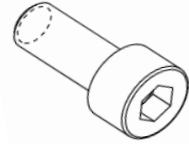
Hinge 4040

**1x**



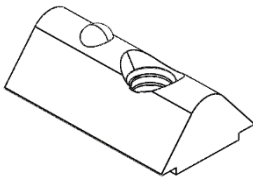
M6x16

**4x**



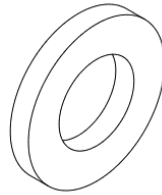
M8x16

**2x**



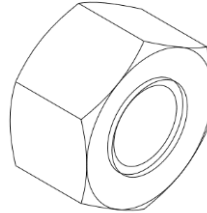
Click-in Nut M8

**3x**



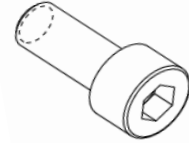
Plain Washer M6

**8x**



Nut M6

**4x**

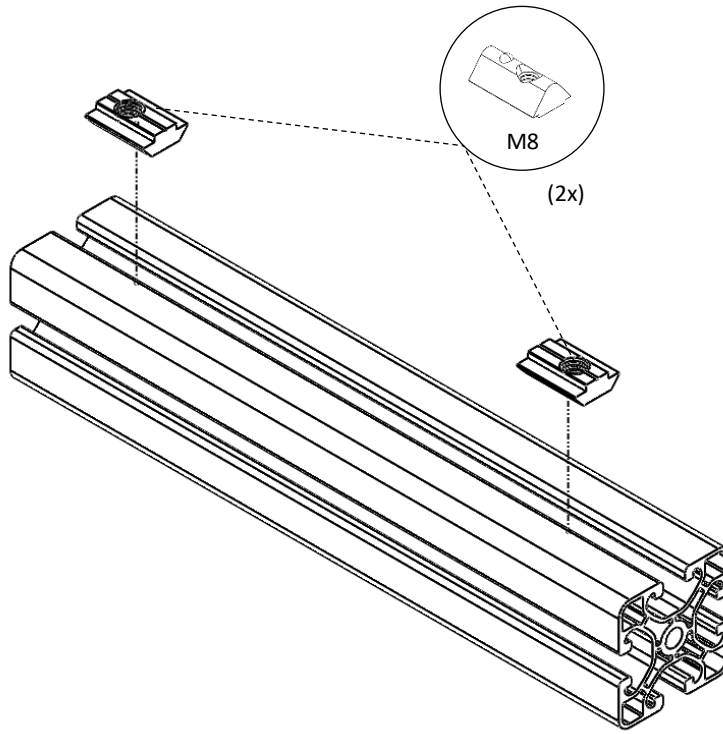


M8x12

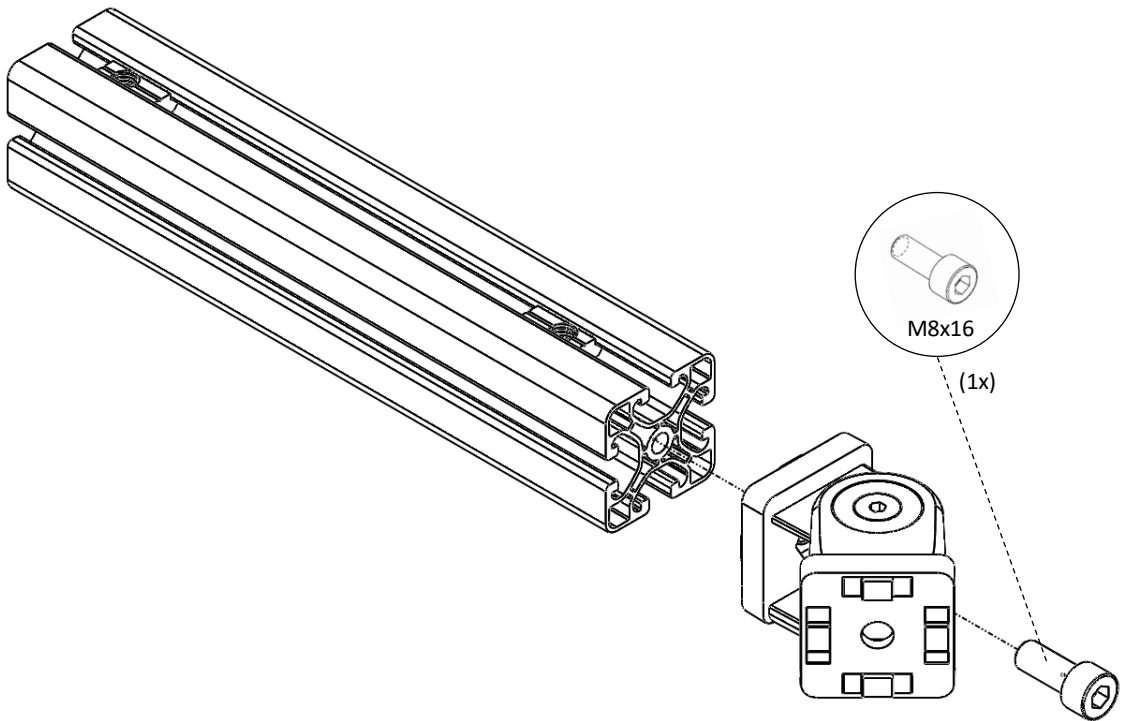
**2x**

**TREQ**

2

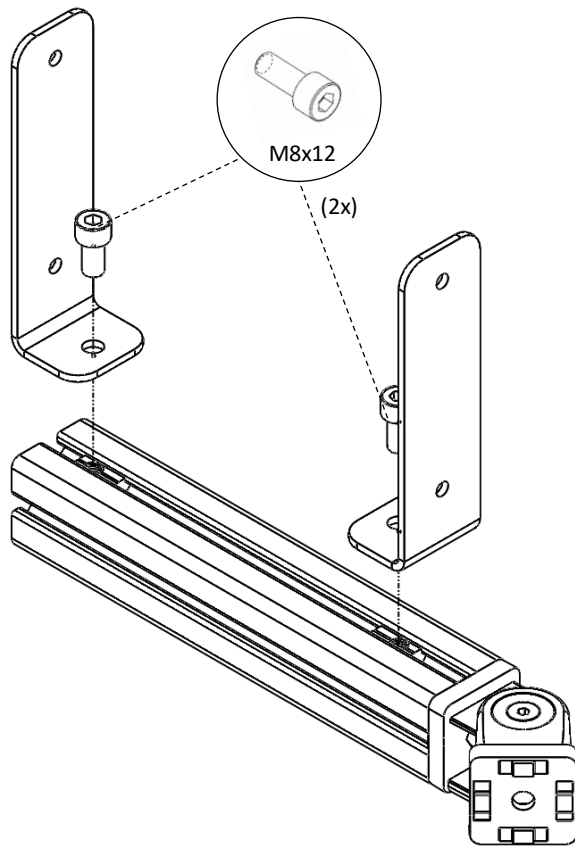


3

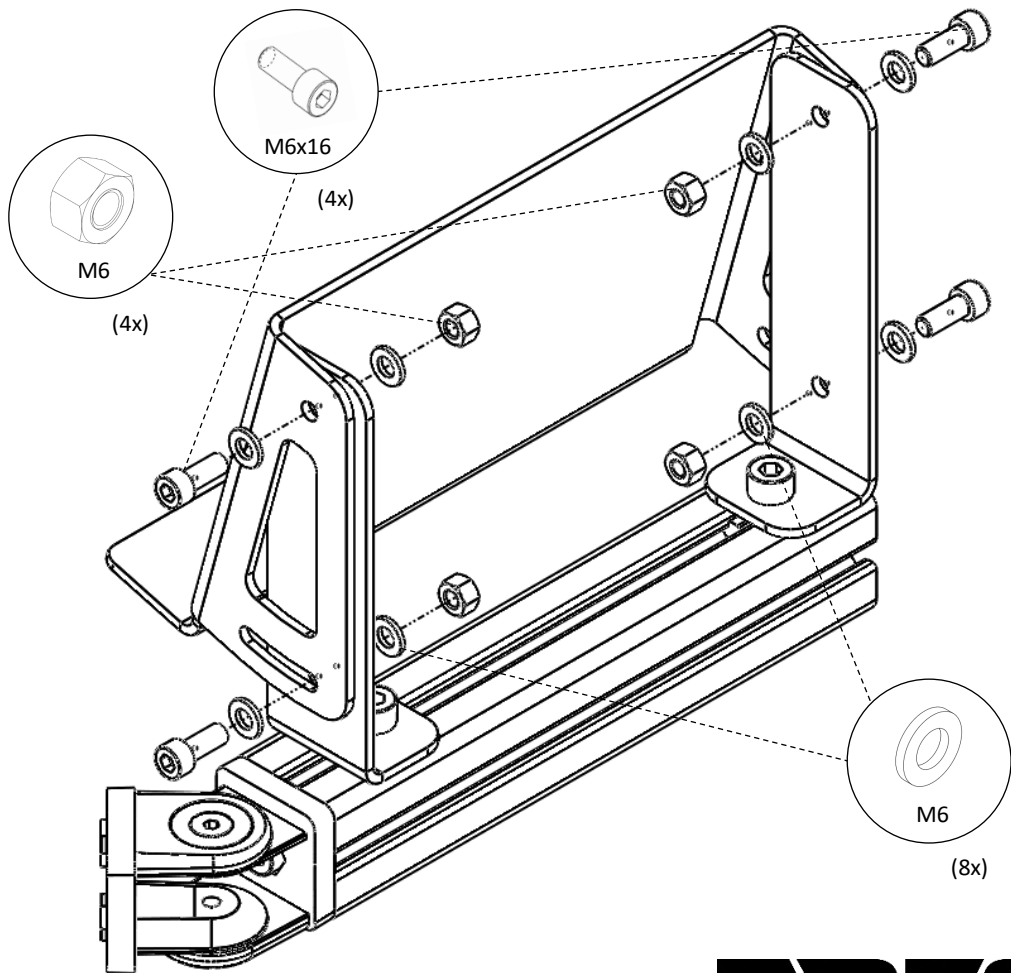


**TREQ**

4

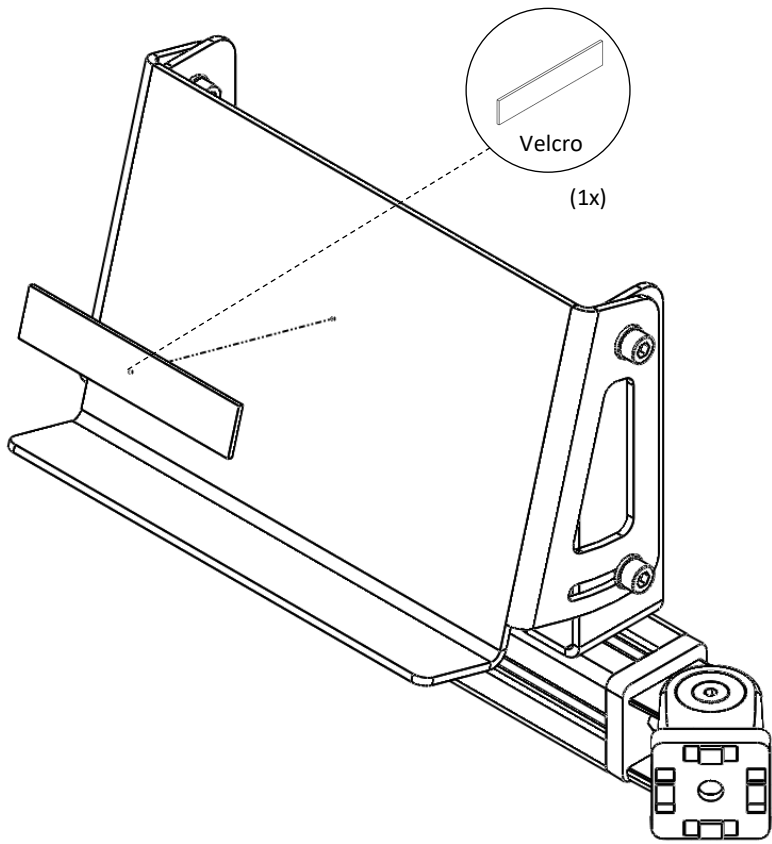


5

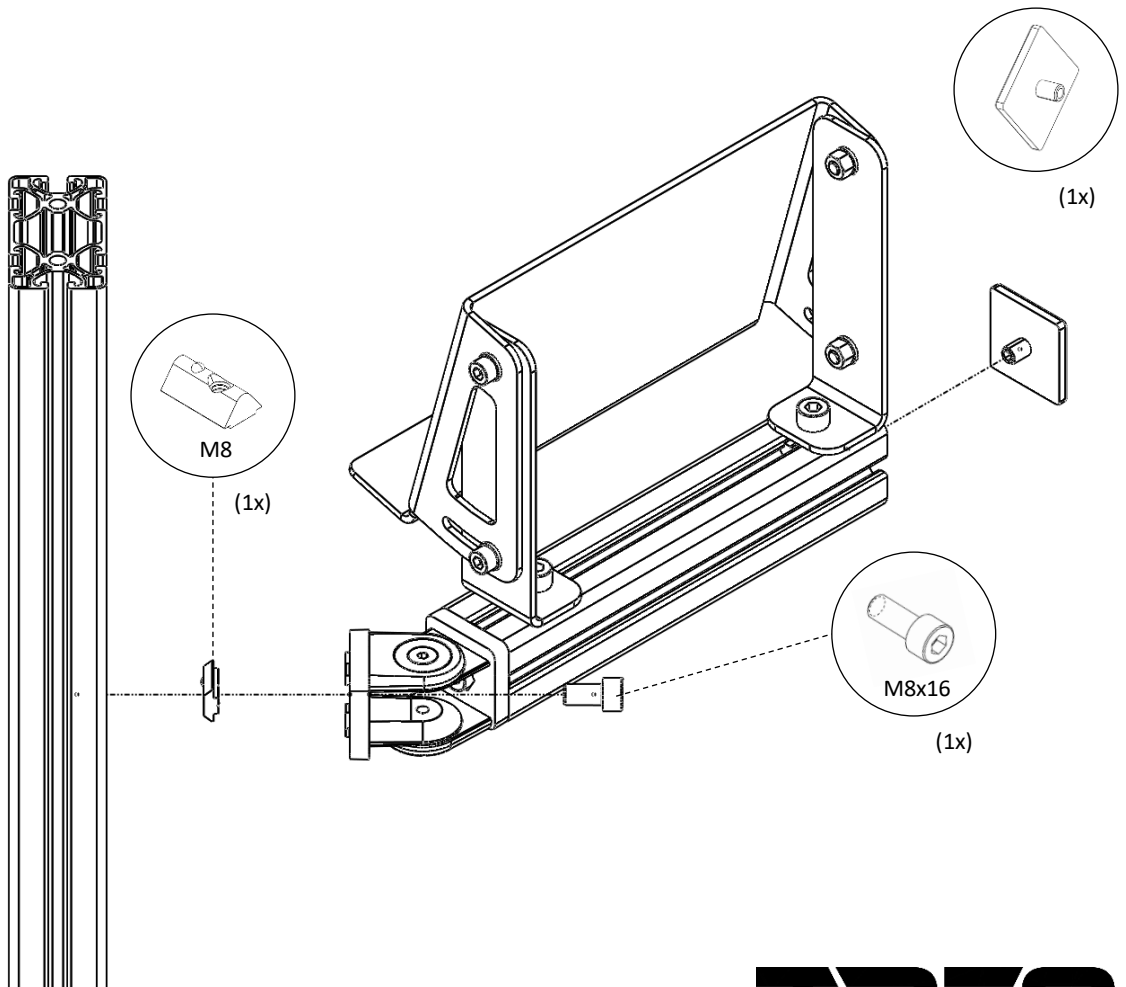


**TREQ**

6



7



**TREQ**