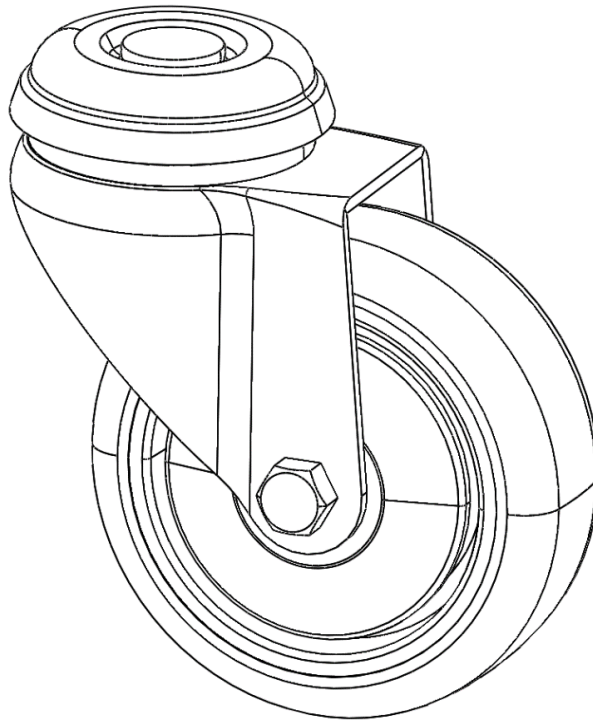
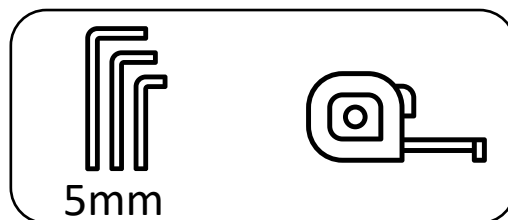


CASTER WHEEL

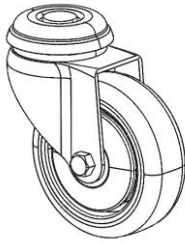
INSTRUCTION MANUAL



REQUIRED TOOLS:

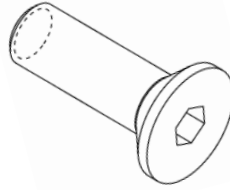


1



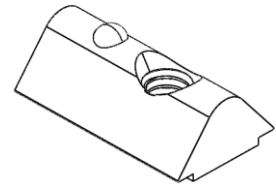
Caster Wheel

1x



M8x20

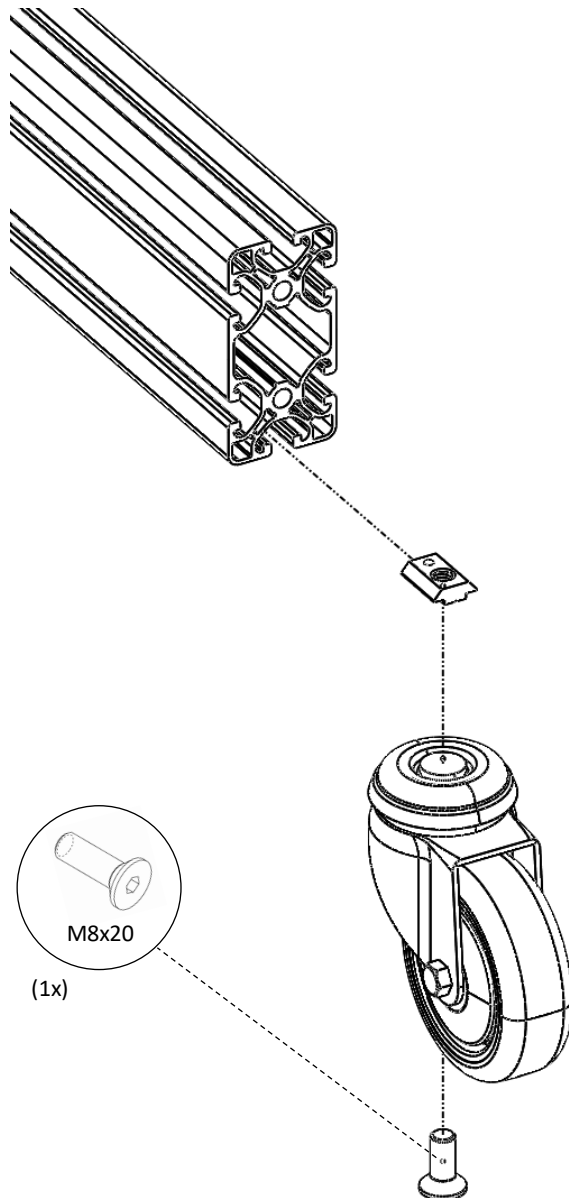
1x



Click-in Nut M8

1x

2



TREQ