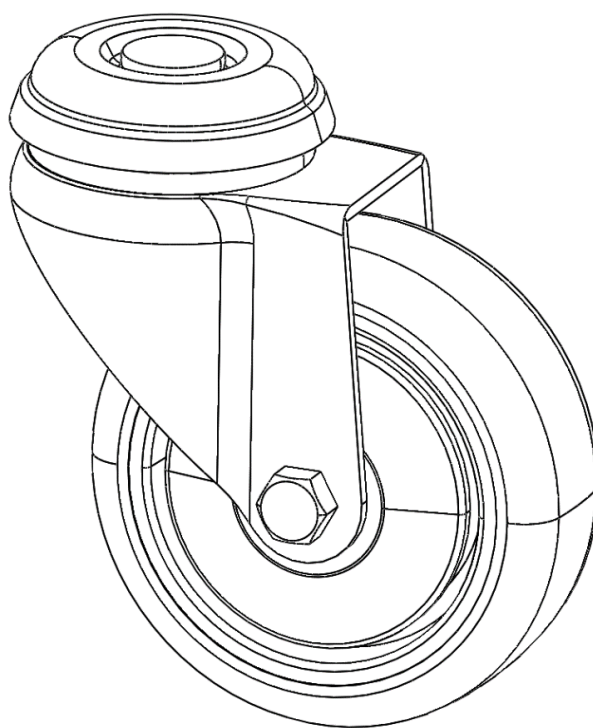
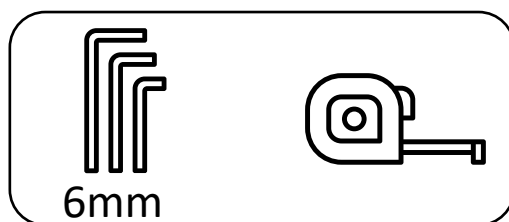


PREMIUM CASTER WHEEL

INSTRUCTION MANUAL

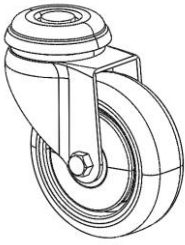


REQUIRED TOOLS:



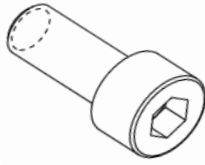
TREQ

1



Caster Wheel

1x



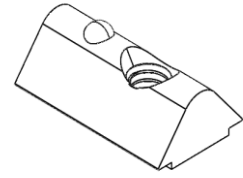
M8x16

1x



Washer M8

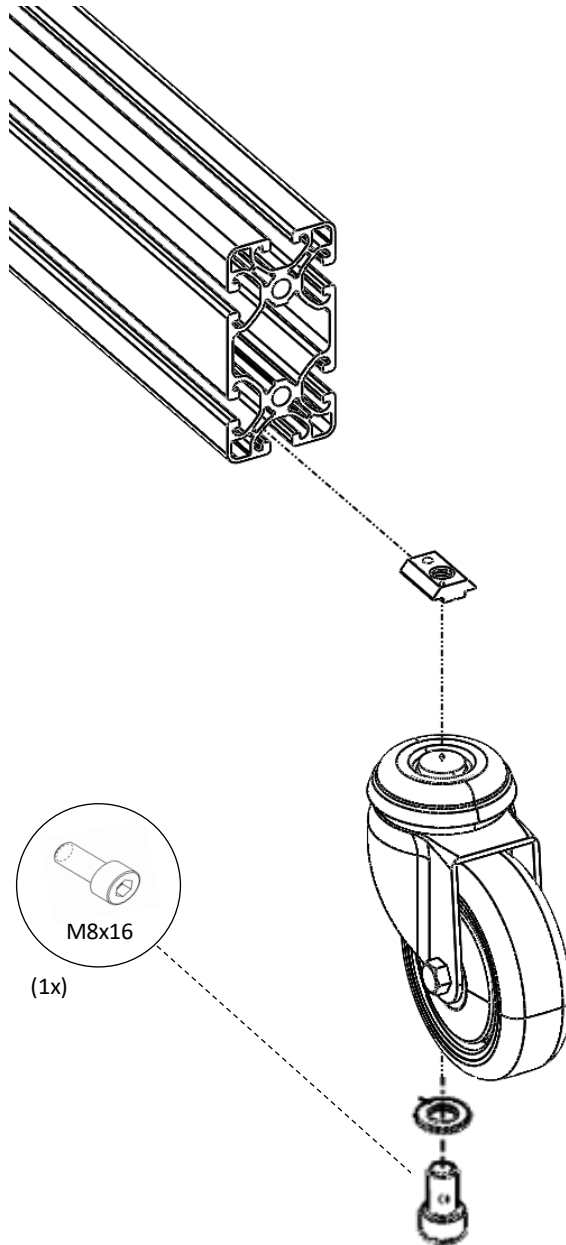
1x



Click-in Nut M8

1x

2



M8x16

(1x)

TREQ