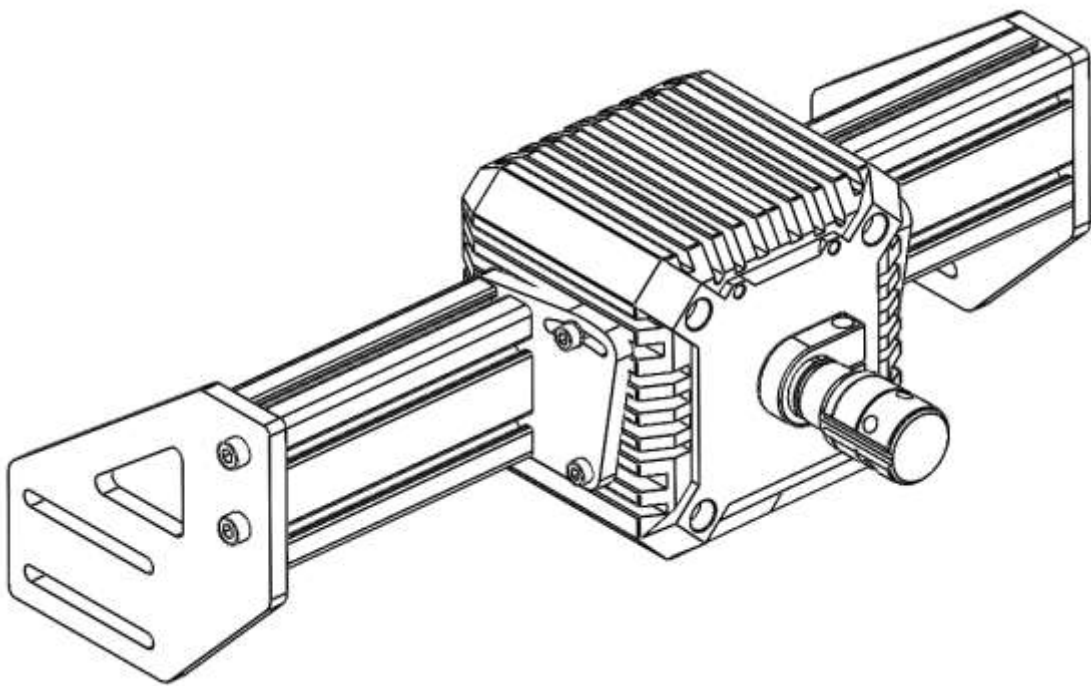
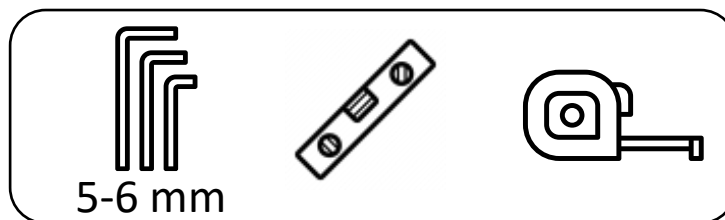


CSL DD & CLUBSPORT SIDE MOUNT

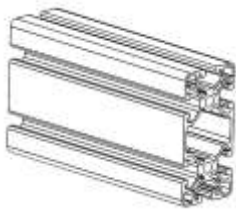
INSTRUCTION MANUAL



REQUIRED TOOLS:



1



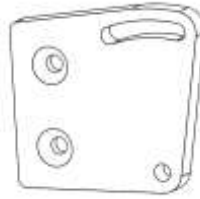
Profile 8040

2x



Side Mount Right

1x



Side Mount Left

1x



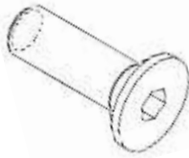
Mounting Plate

2x



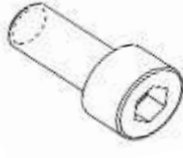
Click-in Nut M8

8x



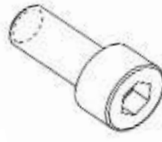
M8x20 (Black)

4x



M8x20 (Black)

12x



M6x20 (Black)

4x



Washer M8

8x



Washer M6

2x

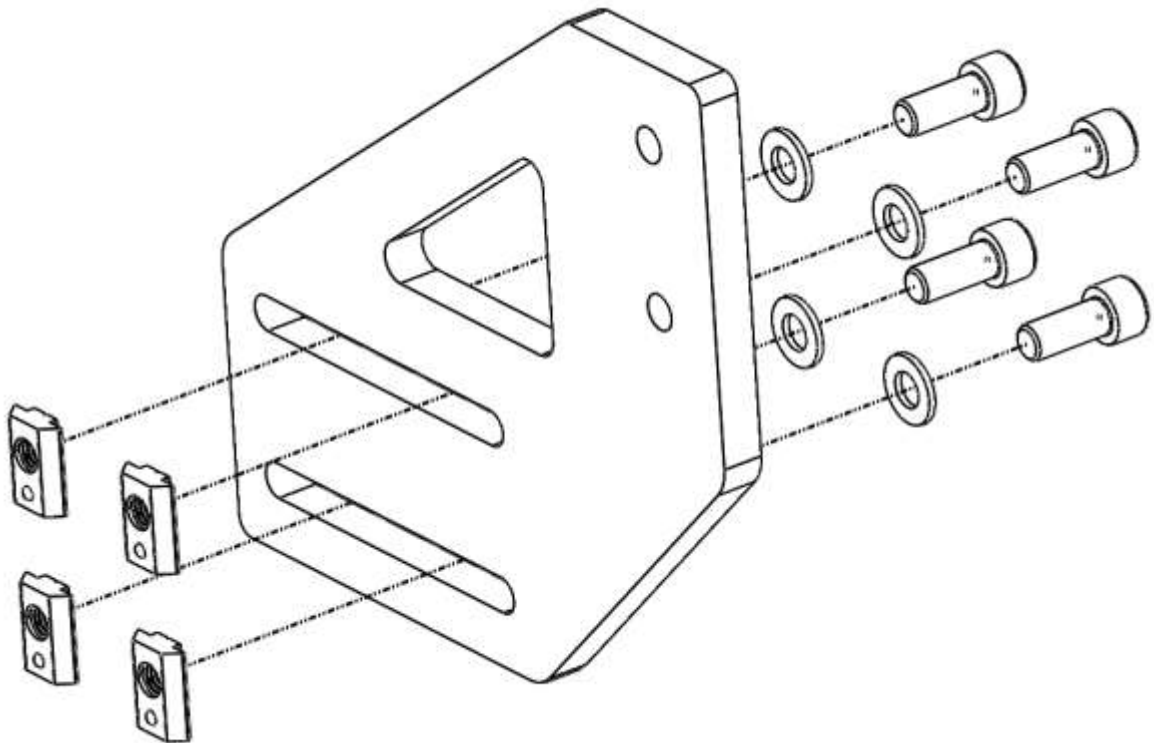


Spacer

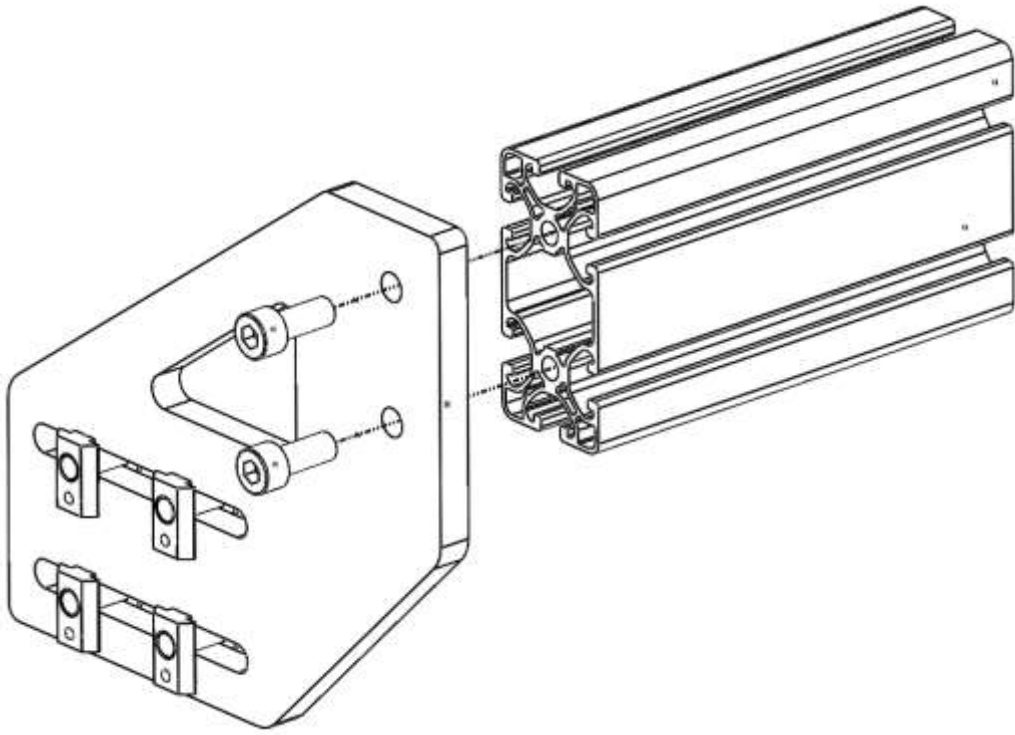
4x

2

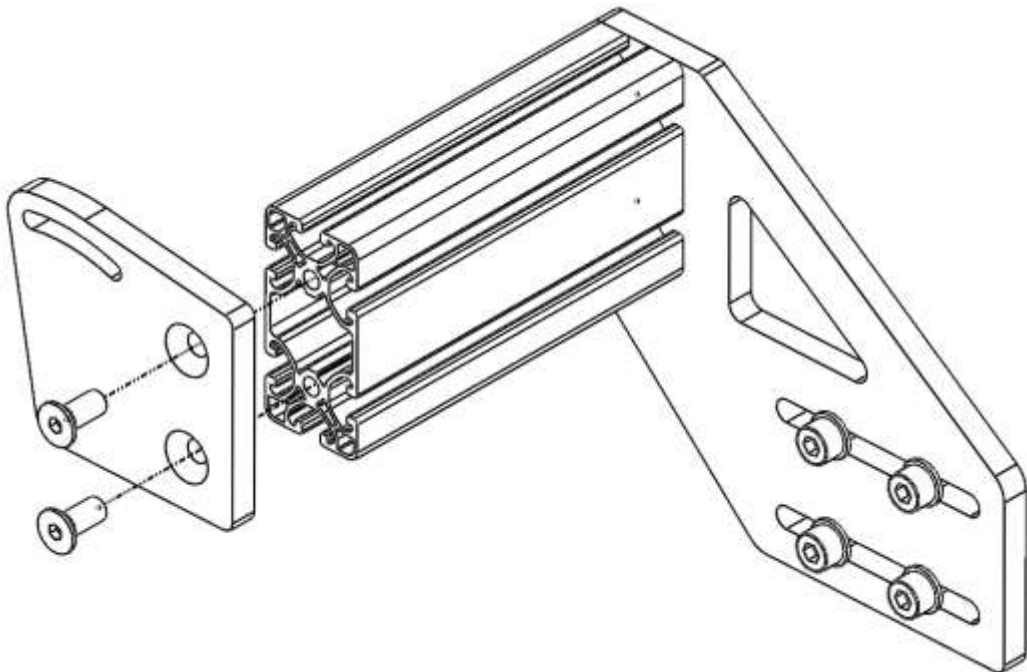
Mount both 'Mounting Plates' to the upright profiles of your rig using the M8 bolts and nuts.



3



4



5

Slide in the Fanatec M6 nuts (delivered with the wheel base) into the side of the base. Connect these with the M6 bolts, displayed below. Use the small spacers for a better fit of the M6 bolts into the side plates.

