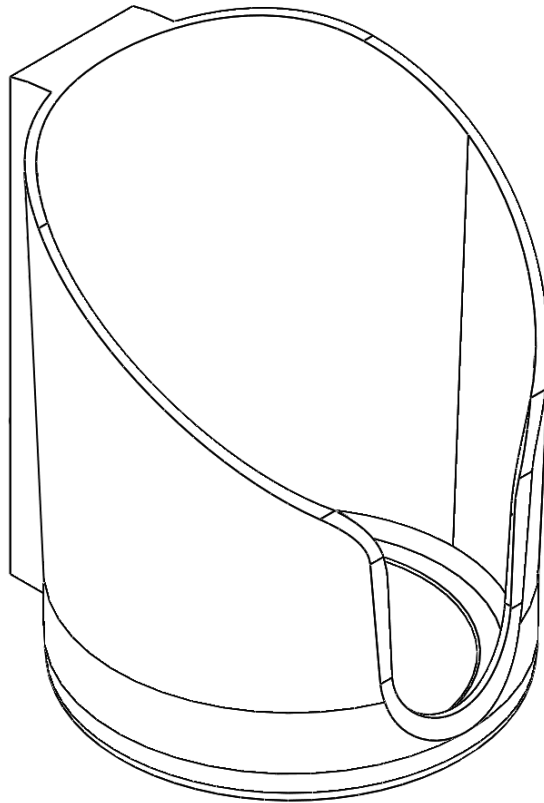
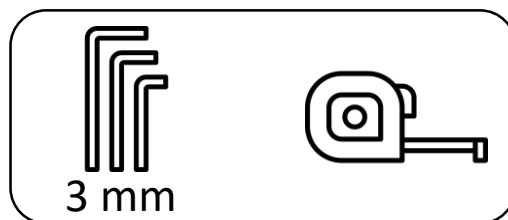


CUP HOLDER

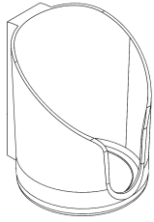
INSTRUCTION MANUAL



REQUIRED TOOLS:

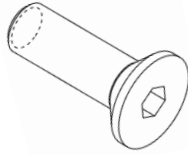


1



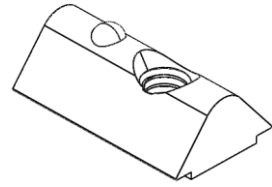
Cup Holder

1x



M5x20

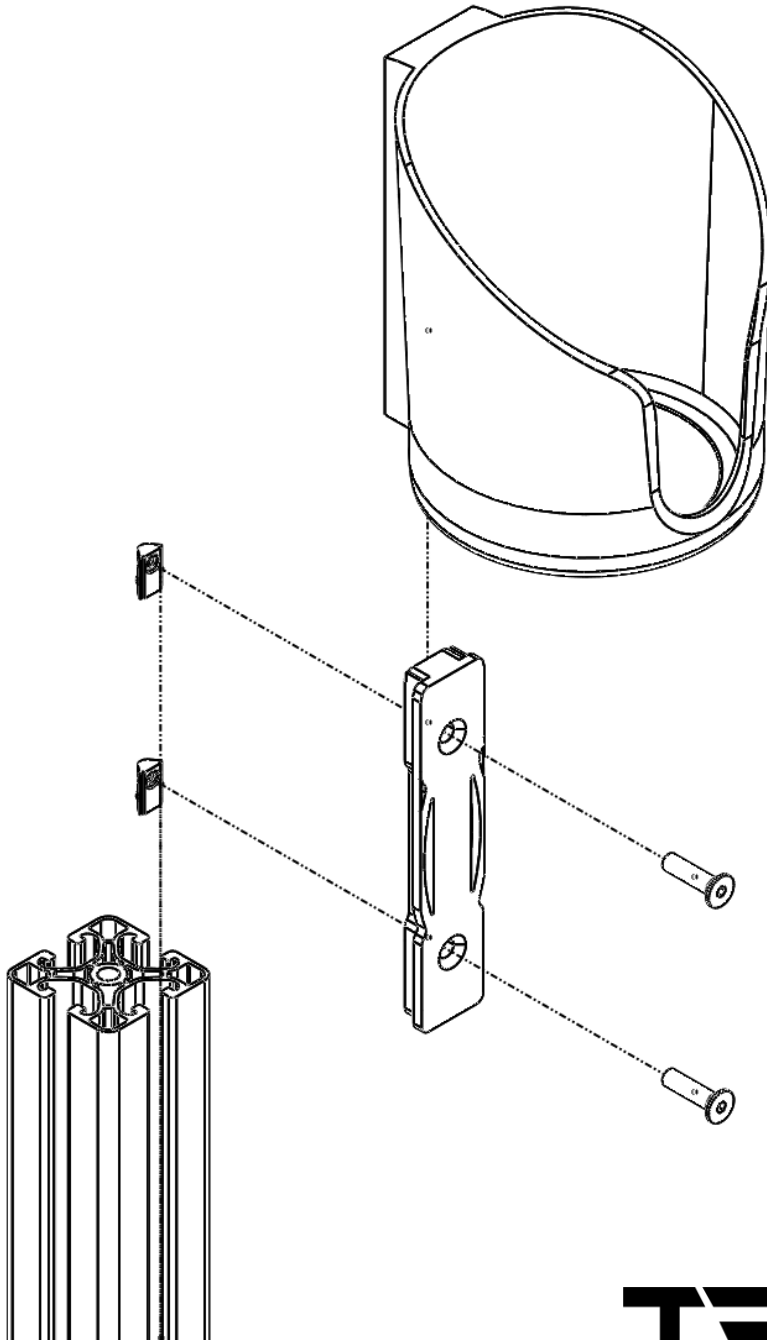
2x



Click-in Nut M5

2x

2



TREQ