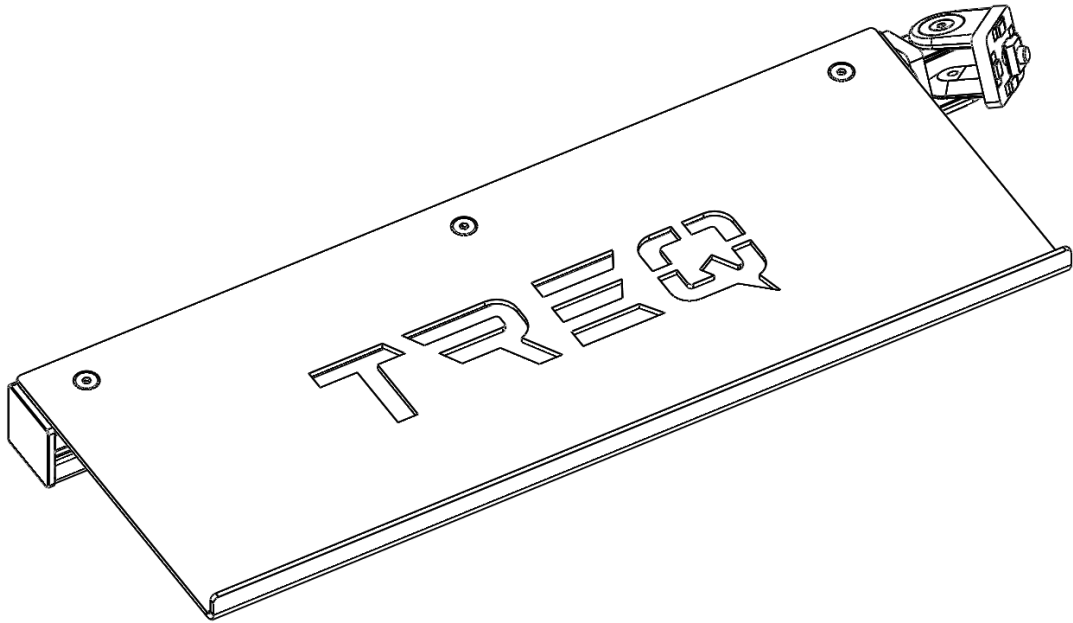
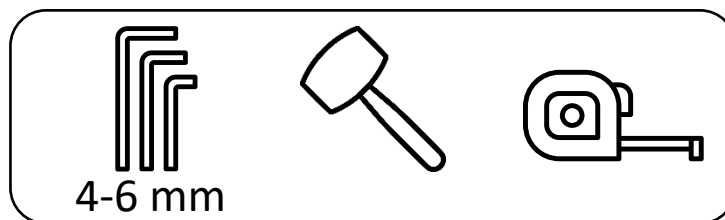


KEYBOARD TRAY

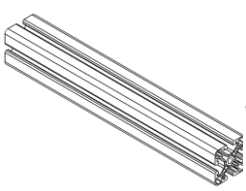
INSTRUCTION MANUAL



REQUIRED TOOLS:

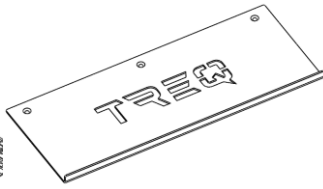


1



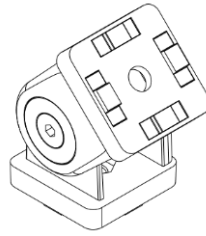
Profile 4040 L=500

1x



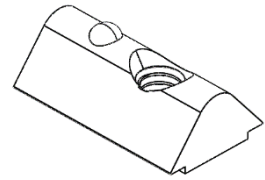
Tray

1x



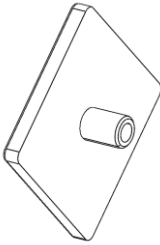
Hinge 4040

1x



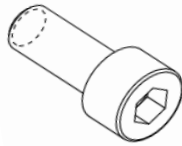
Click-in Nut M6

3x



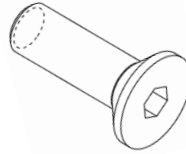
Cover 4040

1x



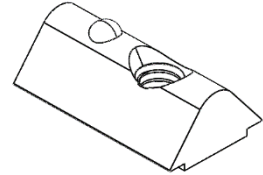
M8x16

2x



M6x12

3x

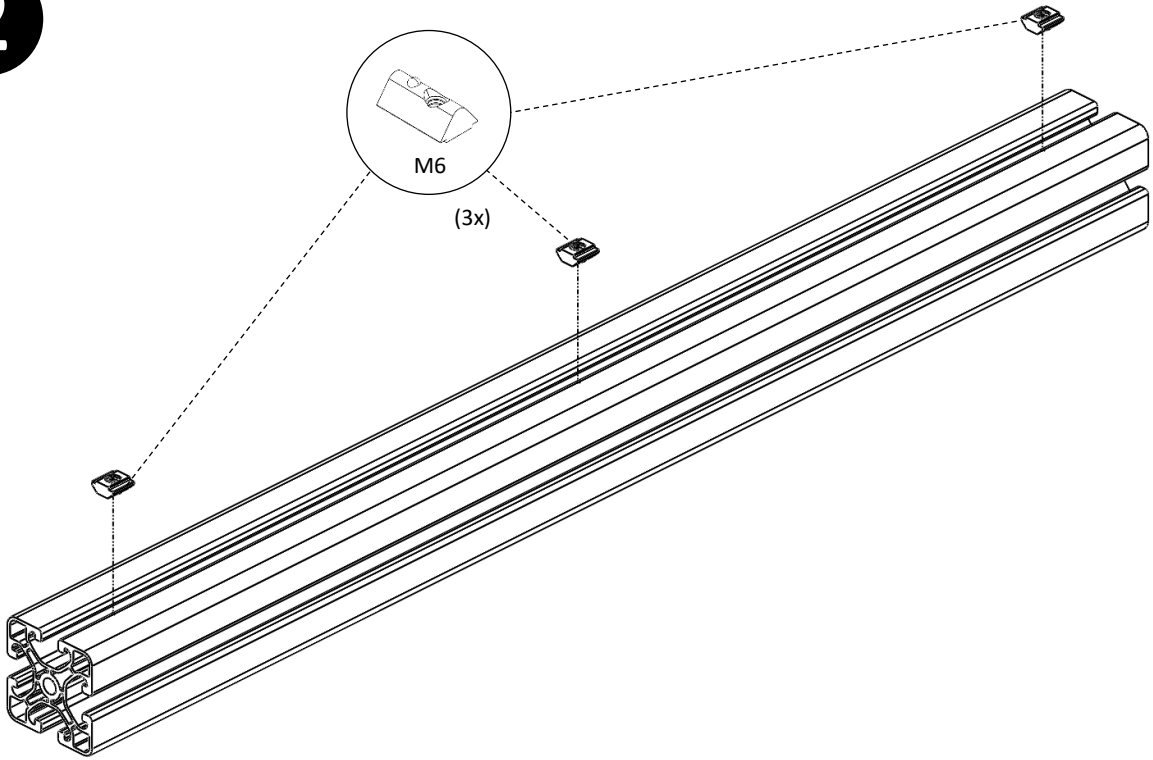


Click-in Nut M8

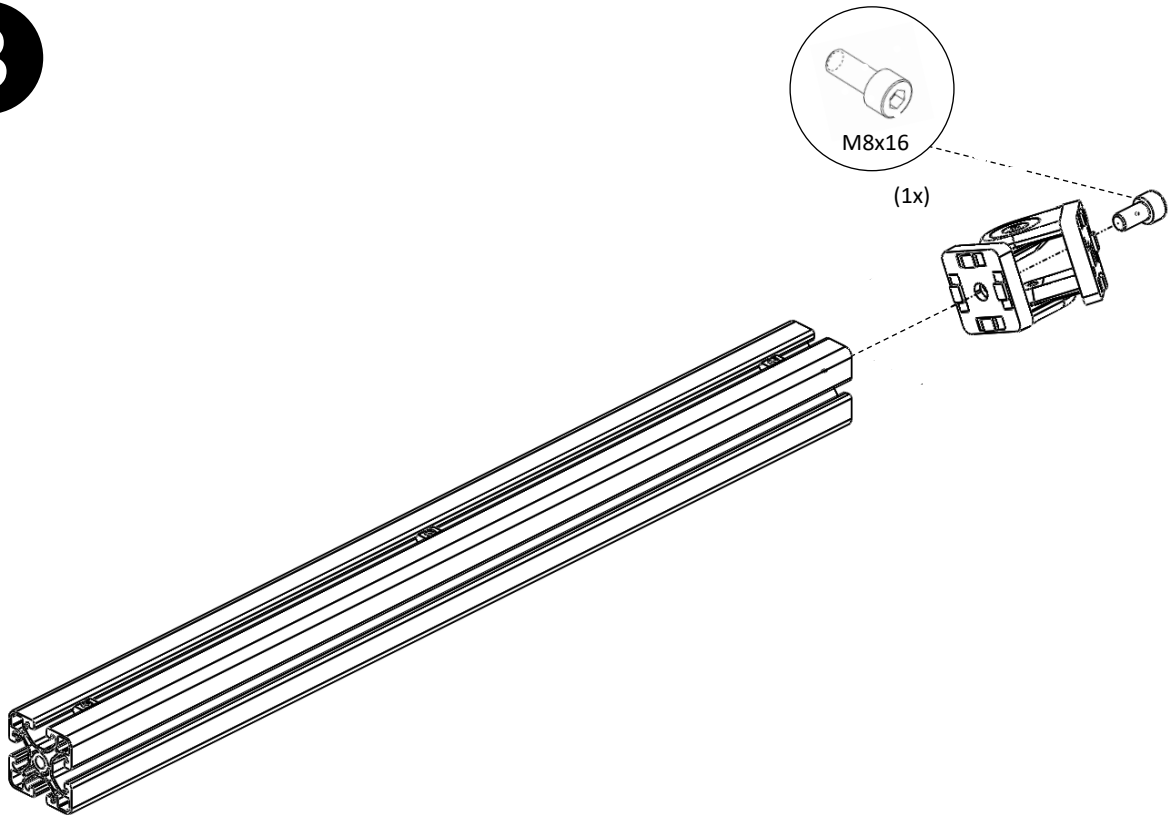
1x

TREQ

2

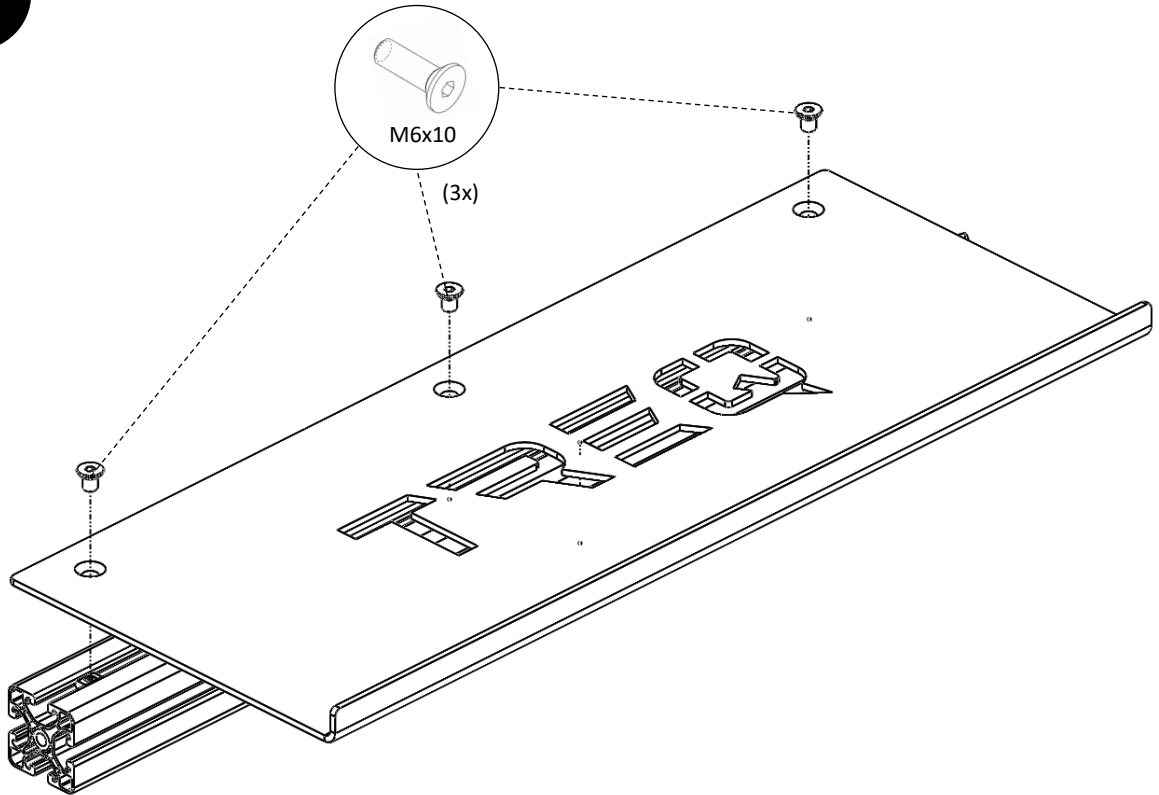


3

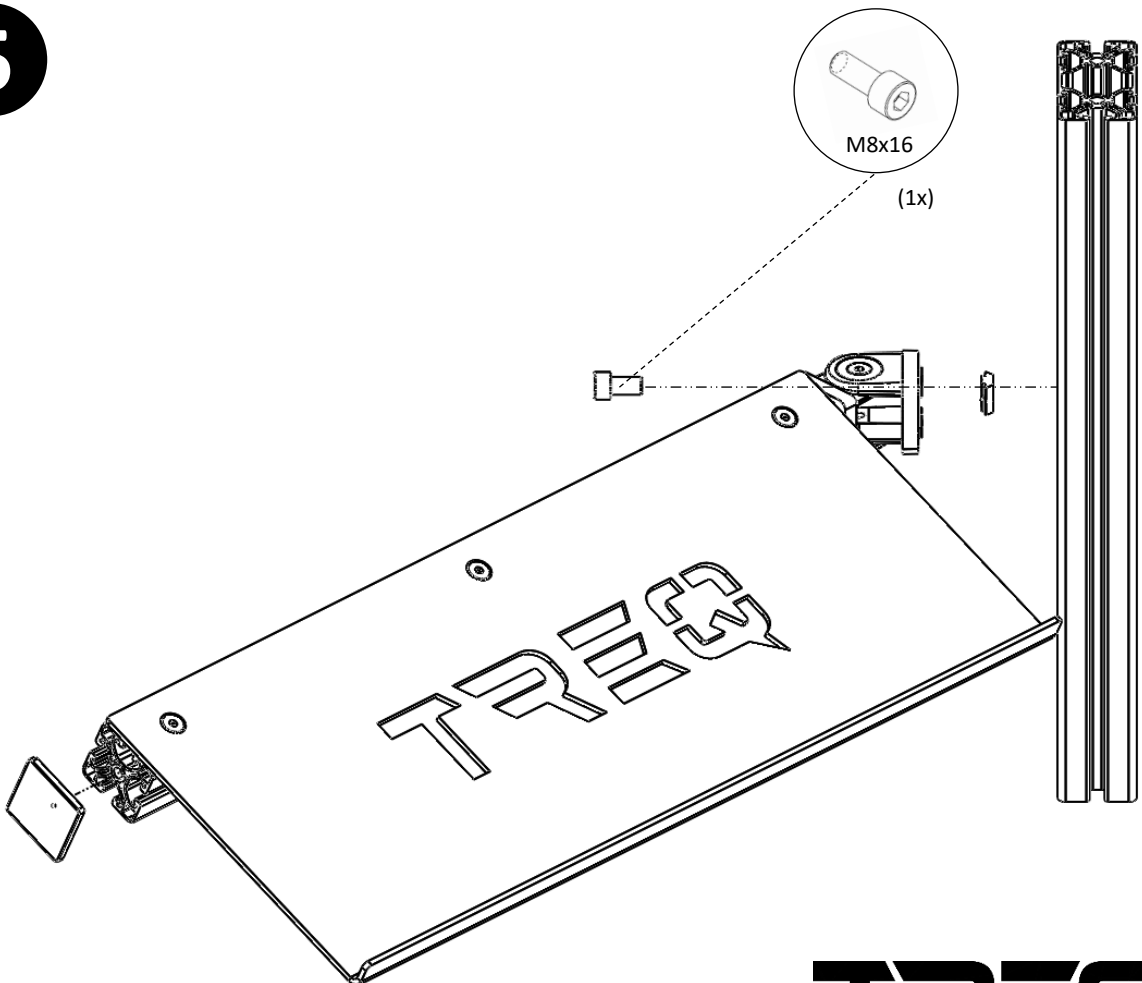


TREQ

4



5



TREQ