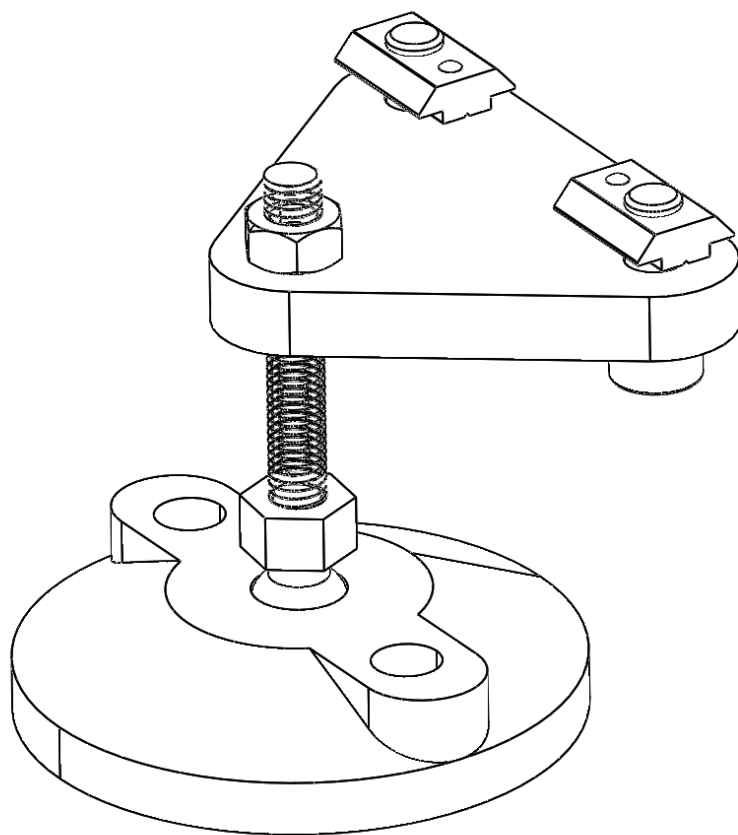
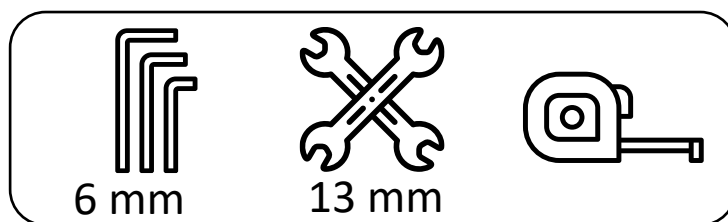


# LEVELING FEET

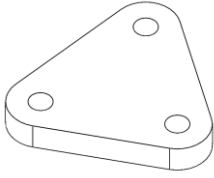
## INSTRUCTION MANUAL



### REQUIRED TOOLS:

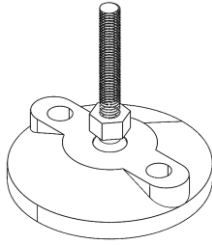


**1**



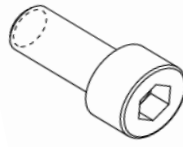
Bracket

**4x**



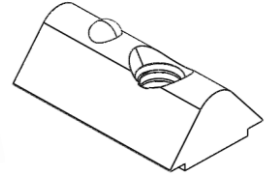
Foot

**4x**



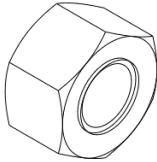
M8x20

**8x**



Click-in Nut M8

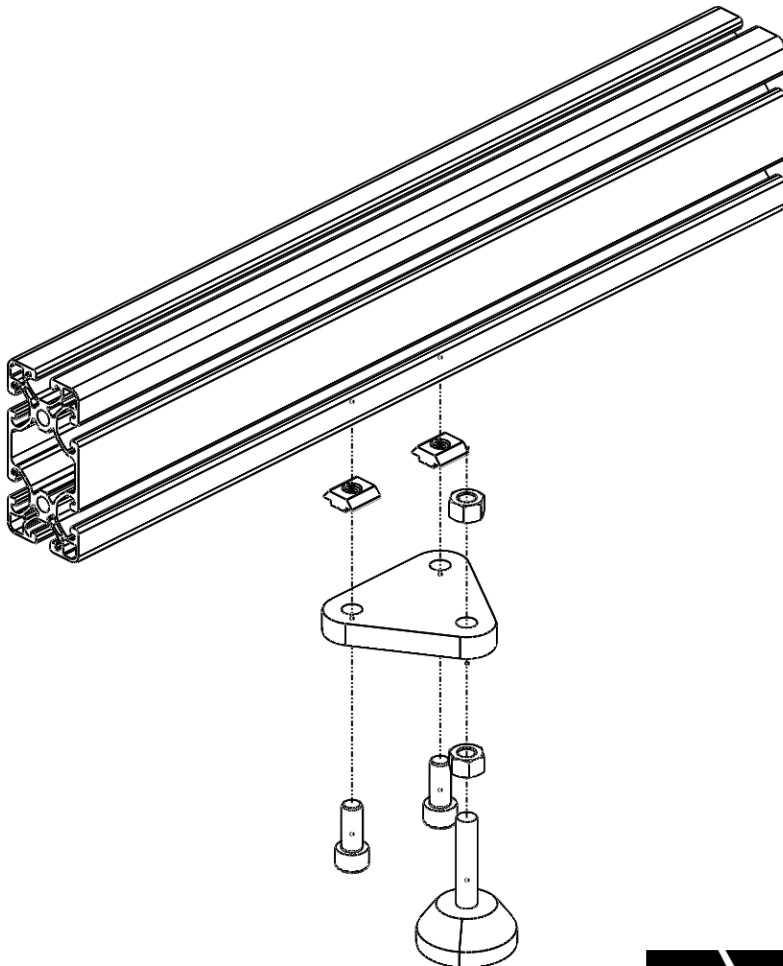
**8x**



Nut M8

**8x**

**2**



**TREQ**