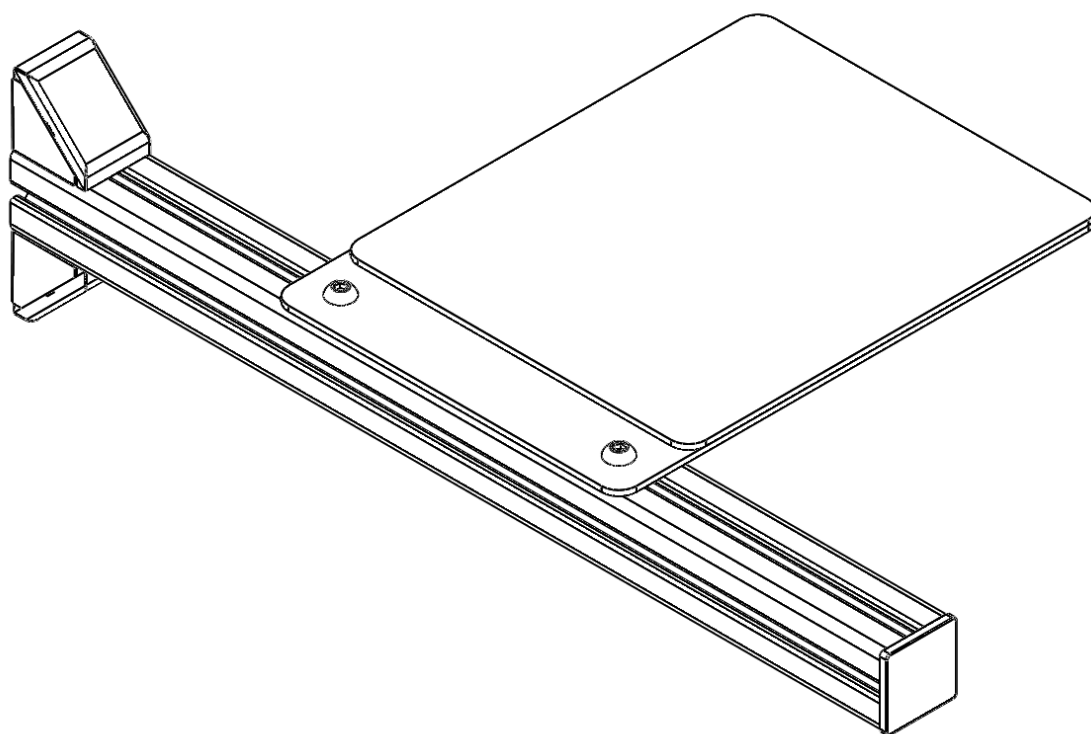
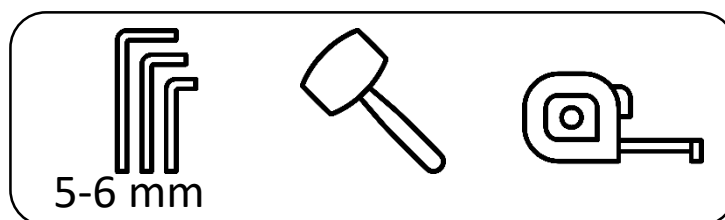


# MOUSE TRAY

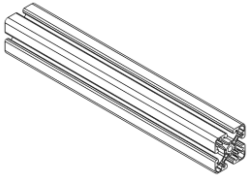
## INSTRUCTION MANUAL



### REQUIRED TOOLS:

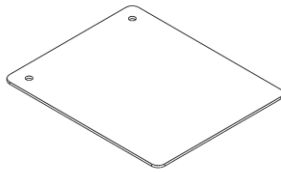


**1**



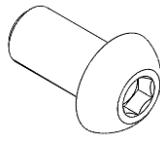
Profile 4040 L=500

**1x**



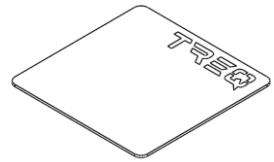
Bracket

**1x**



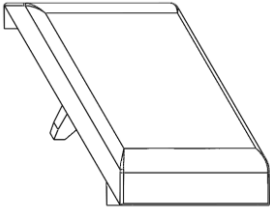
M8x12

**2x**



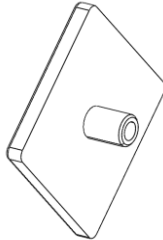
Mouse Pad

**1x**



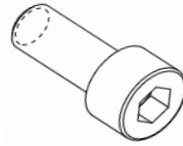
Corner Cover 4040

**2x**



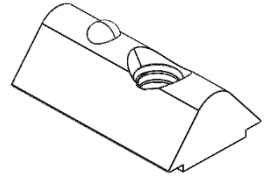
Cover 4040

**2x**



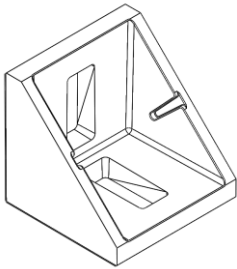
M8x16

**4x**



Click-in Nut M8

**6x**

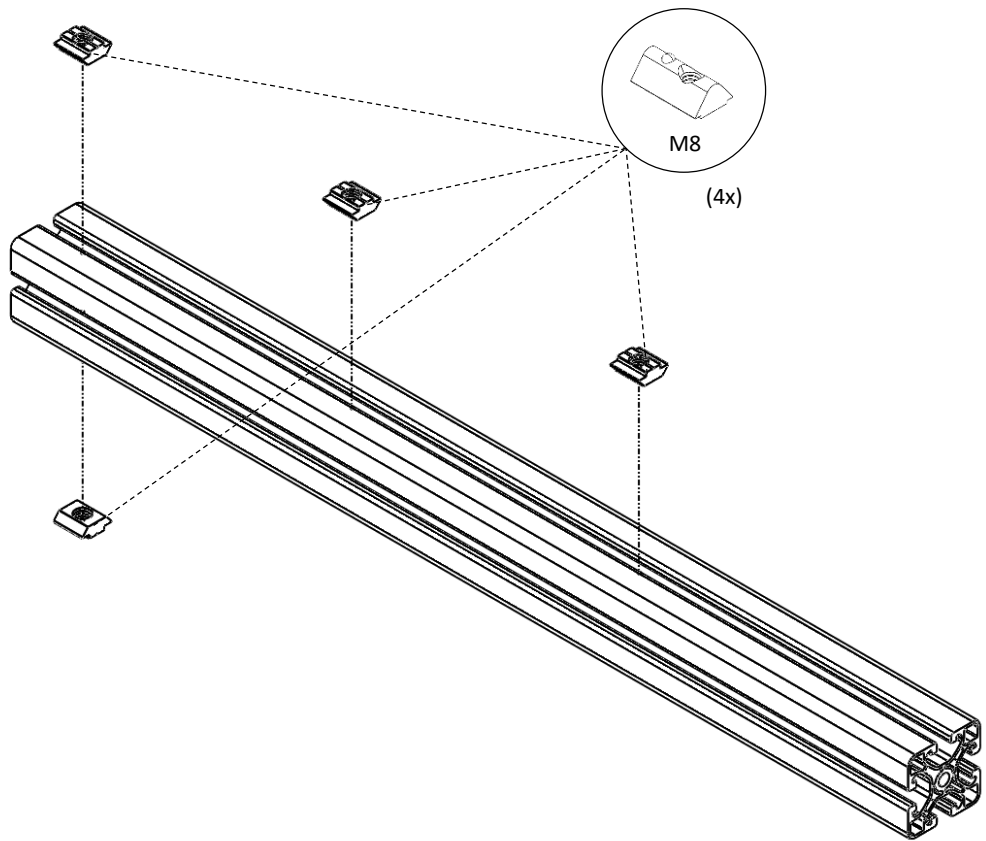


Corner 4040

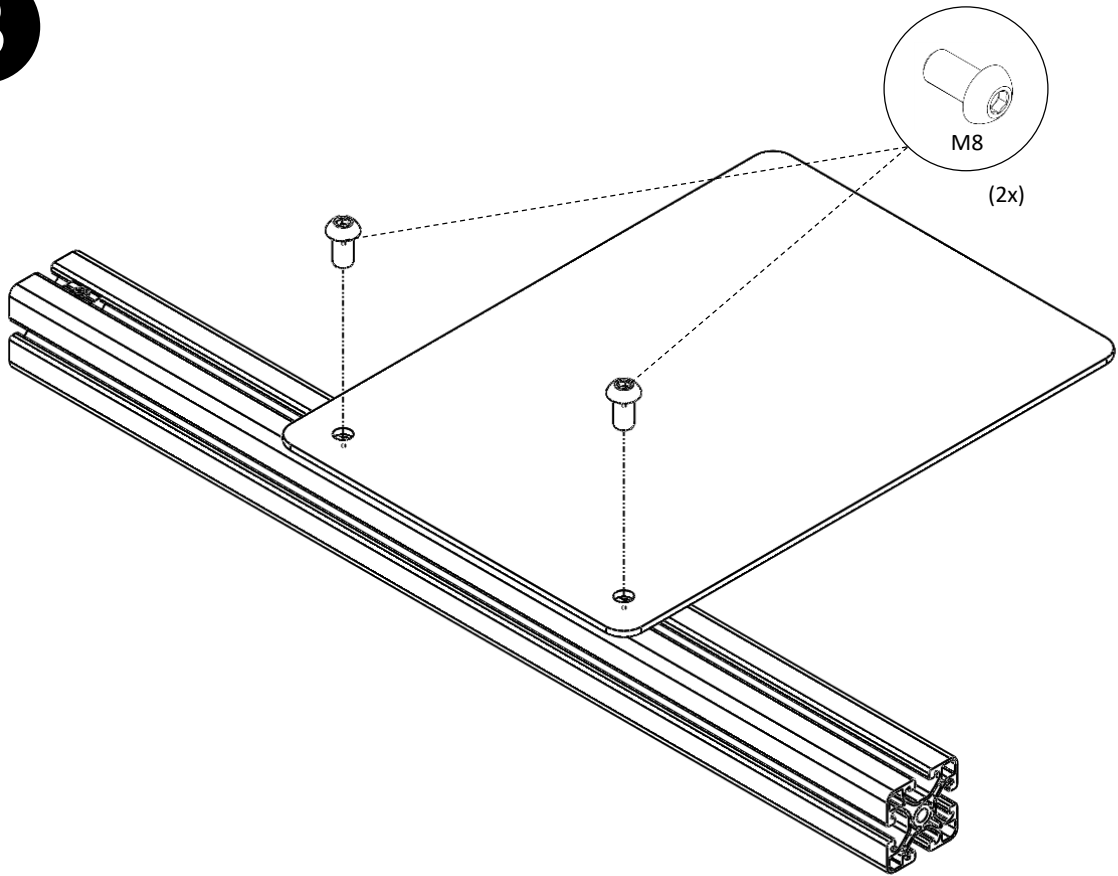
**2x**



2

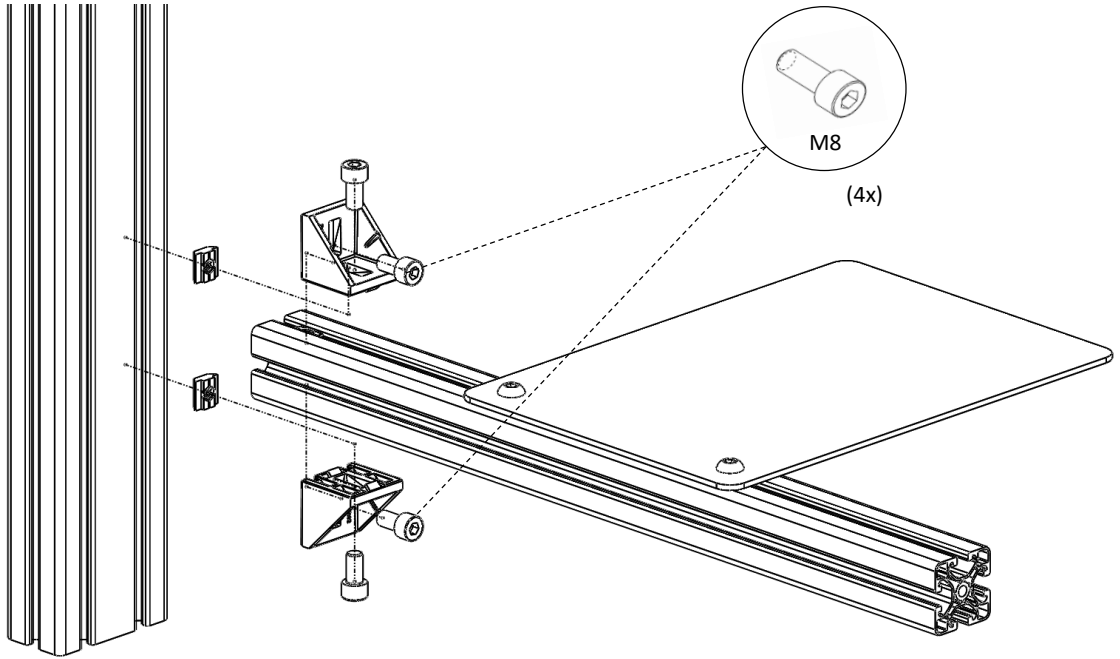


3

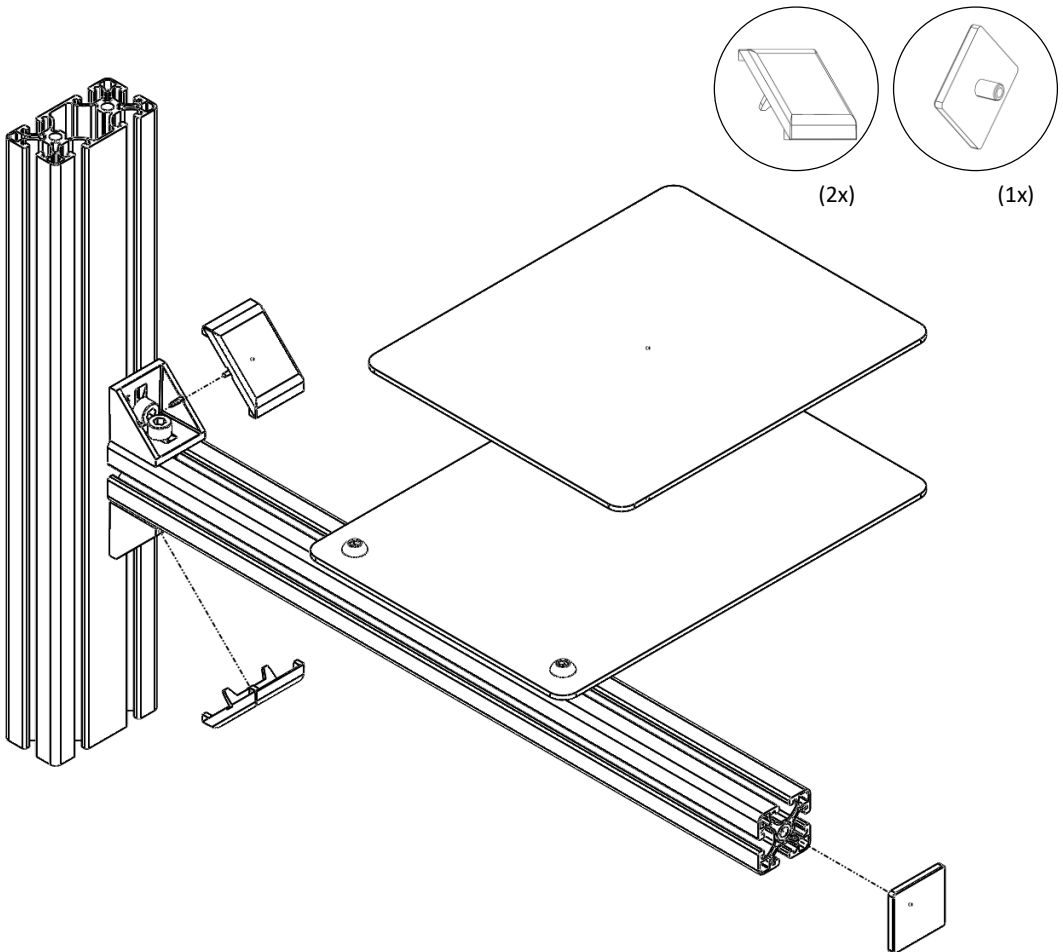


**TREQ**

3



4



**TREQ**