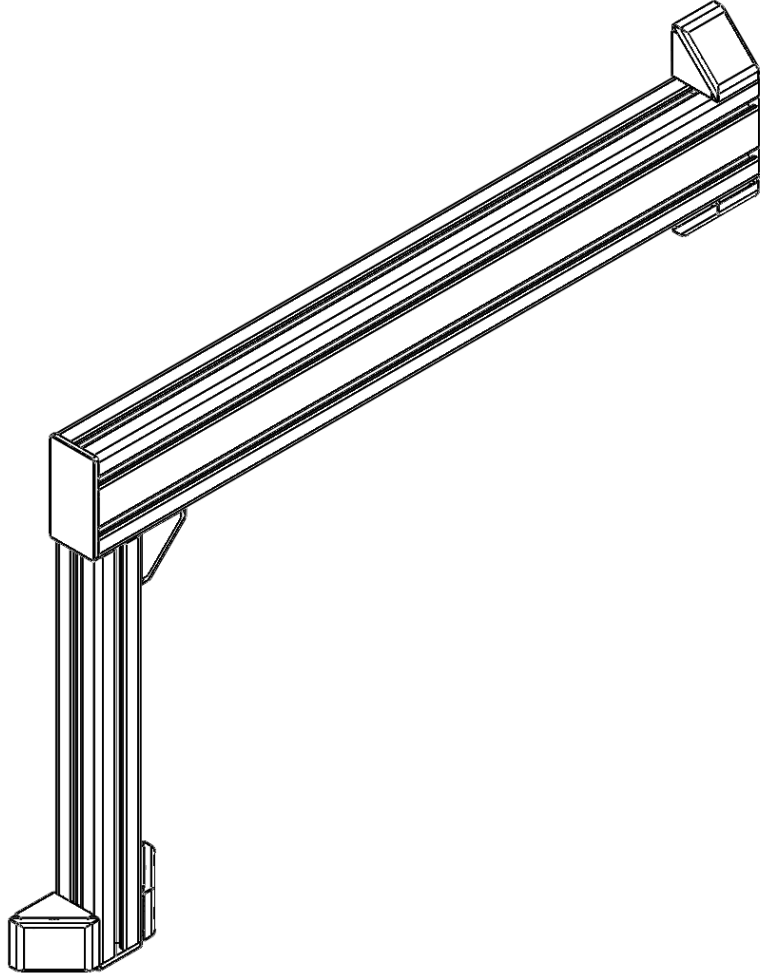
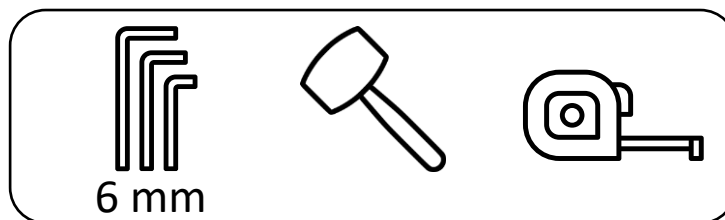


SHIFTER FRAME

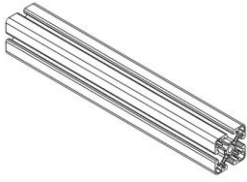
INSTRUCTION MANUAL



REQUIRED TOOLS:

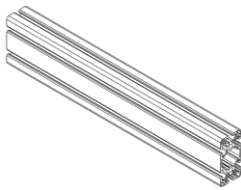


1



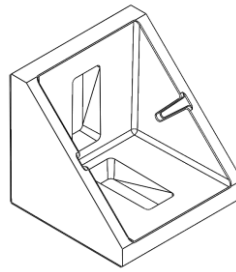
Profile 4040 L=320

1x



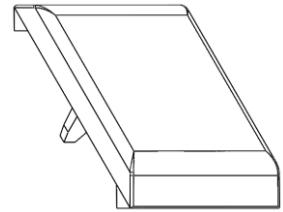
Profile 8040 L=580

1x



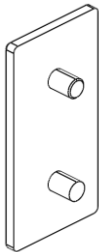
Corner 4040

5x



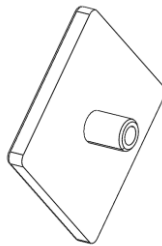
Corner Cover 4040

5x



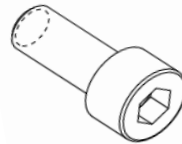
Cover 8040

2x



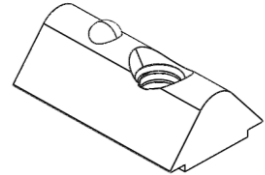
Cover 4040

2x



M8x16

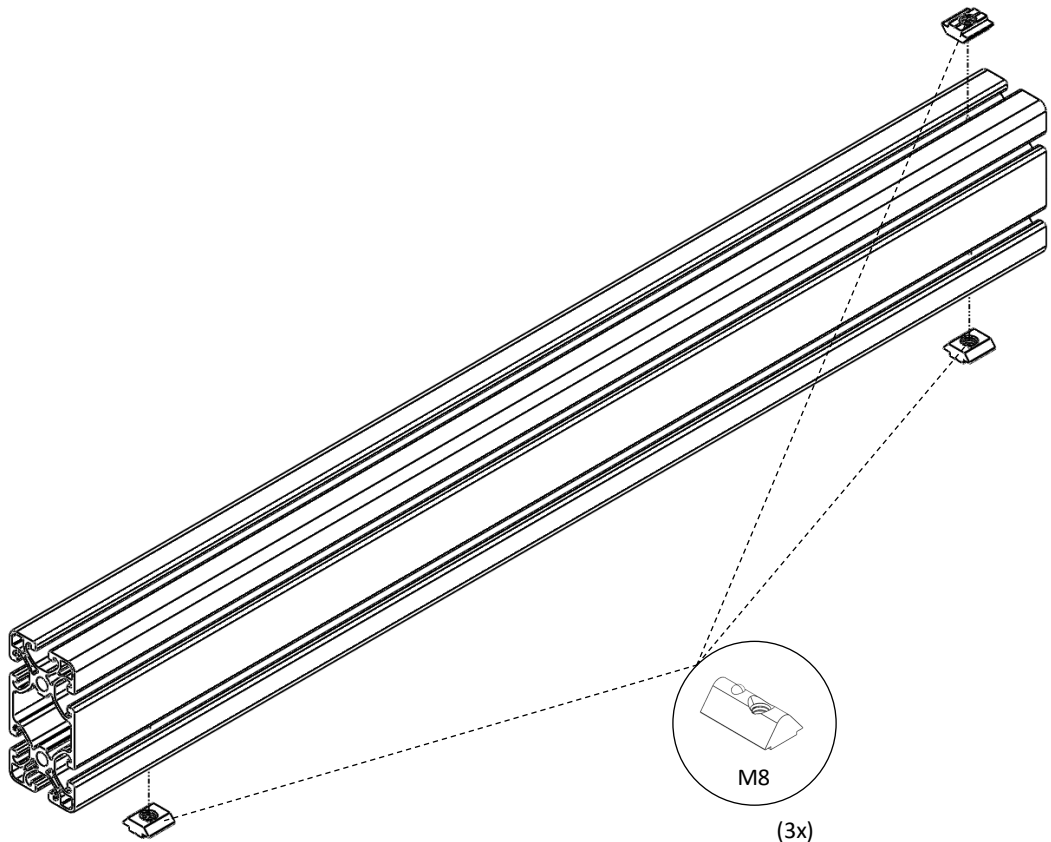
10x



Click-in Nut M8

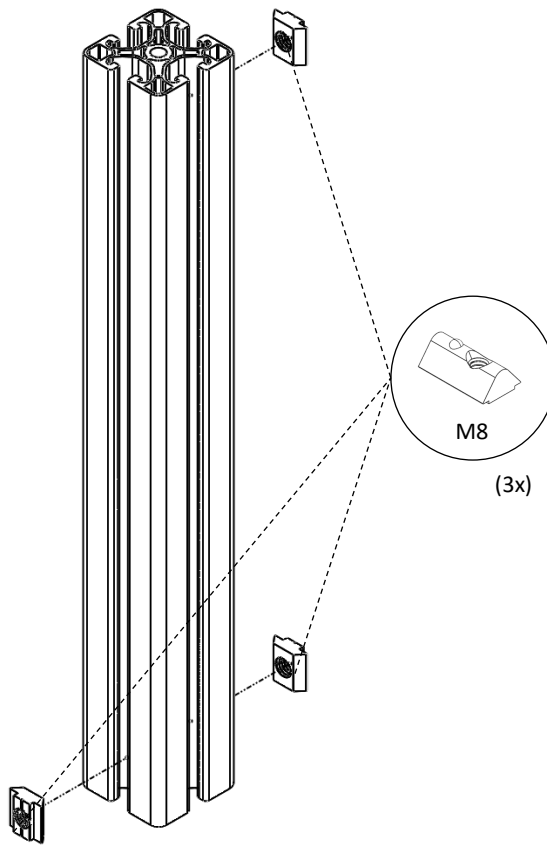
10x

2

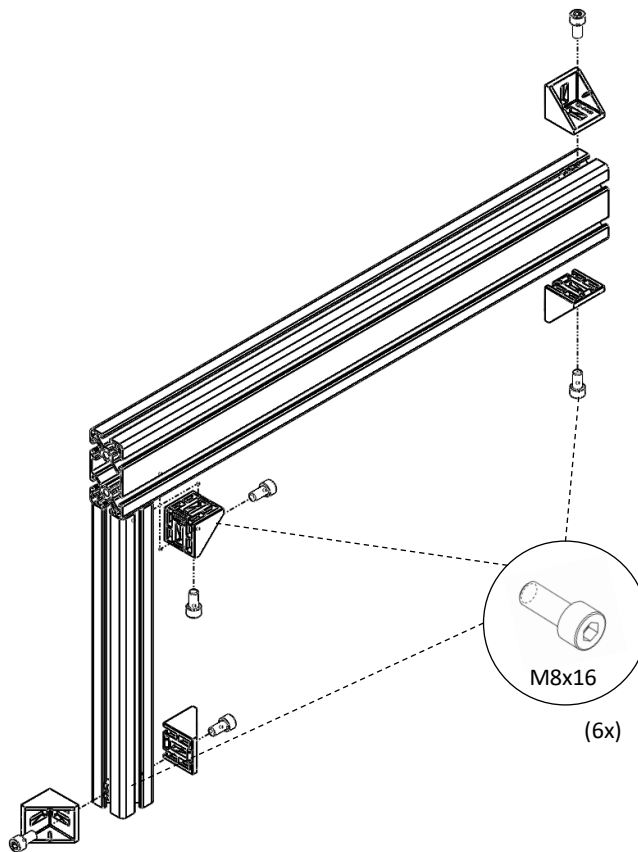


TREQ

3

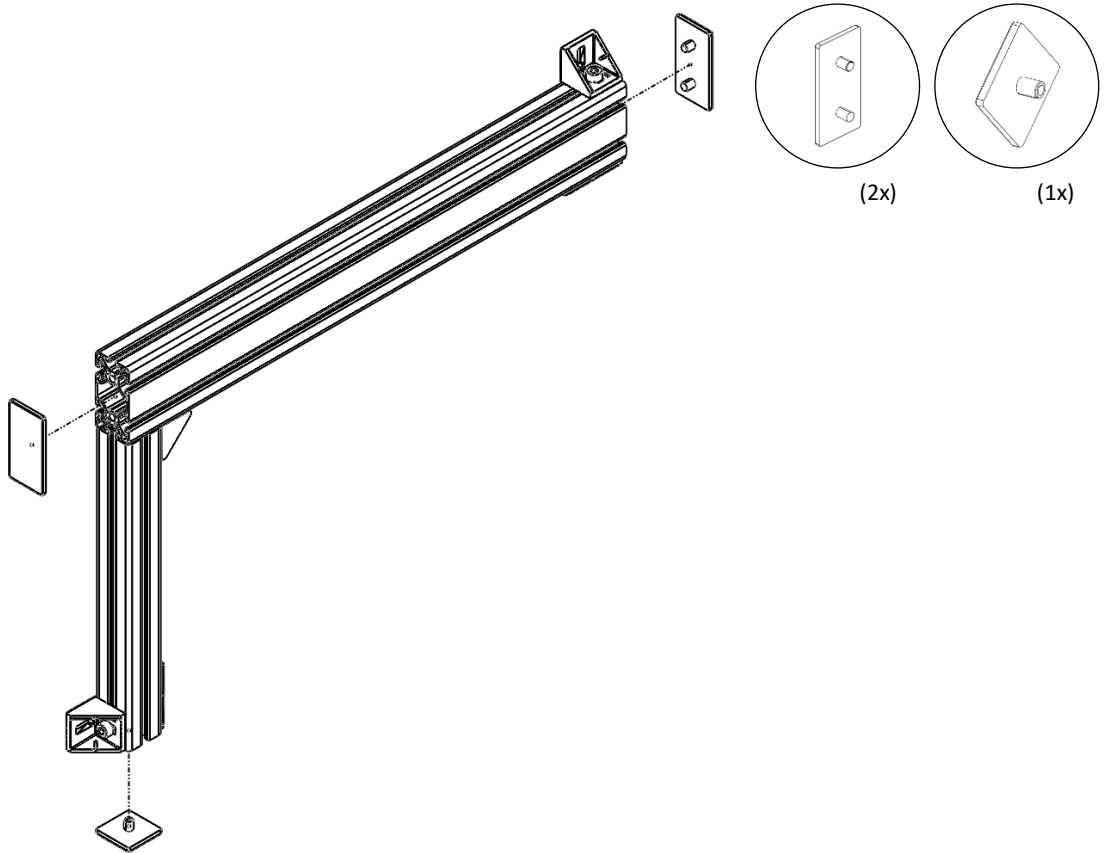


4

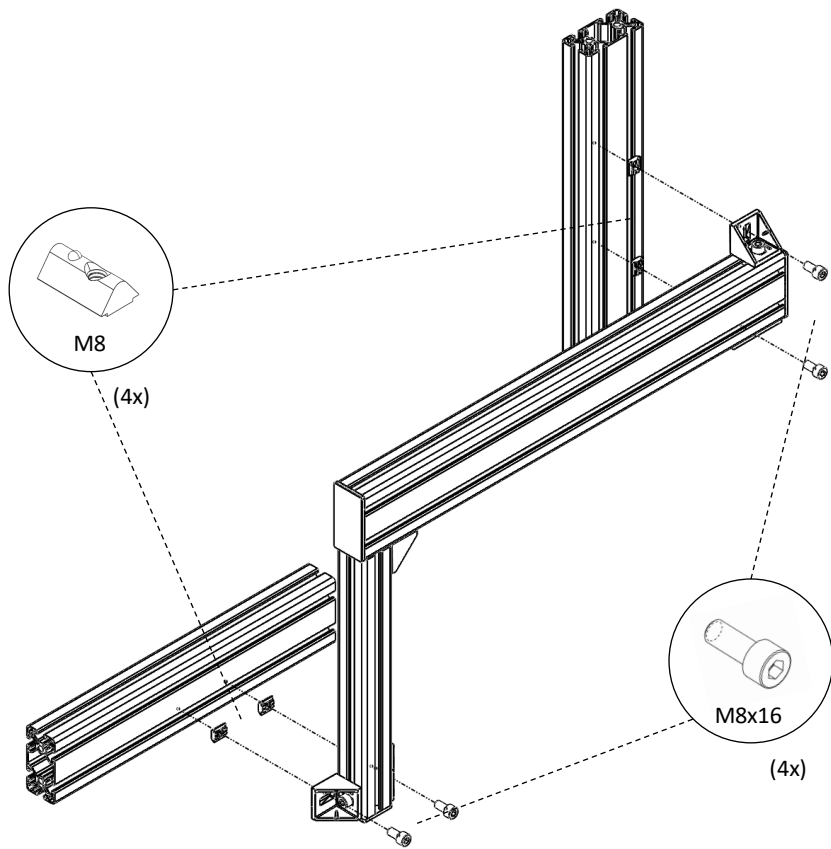


TREQ

5

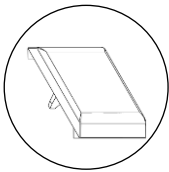


6

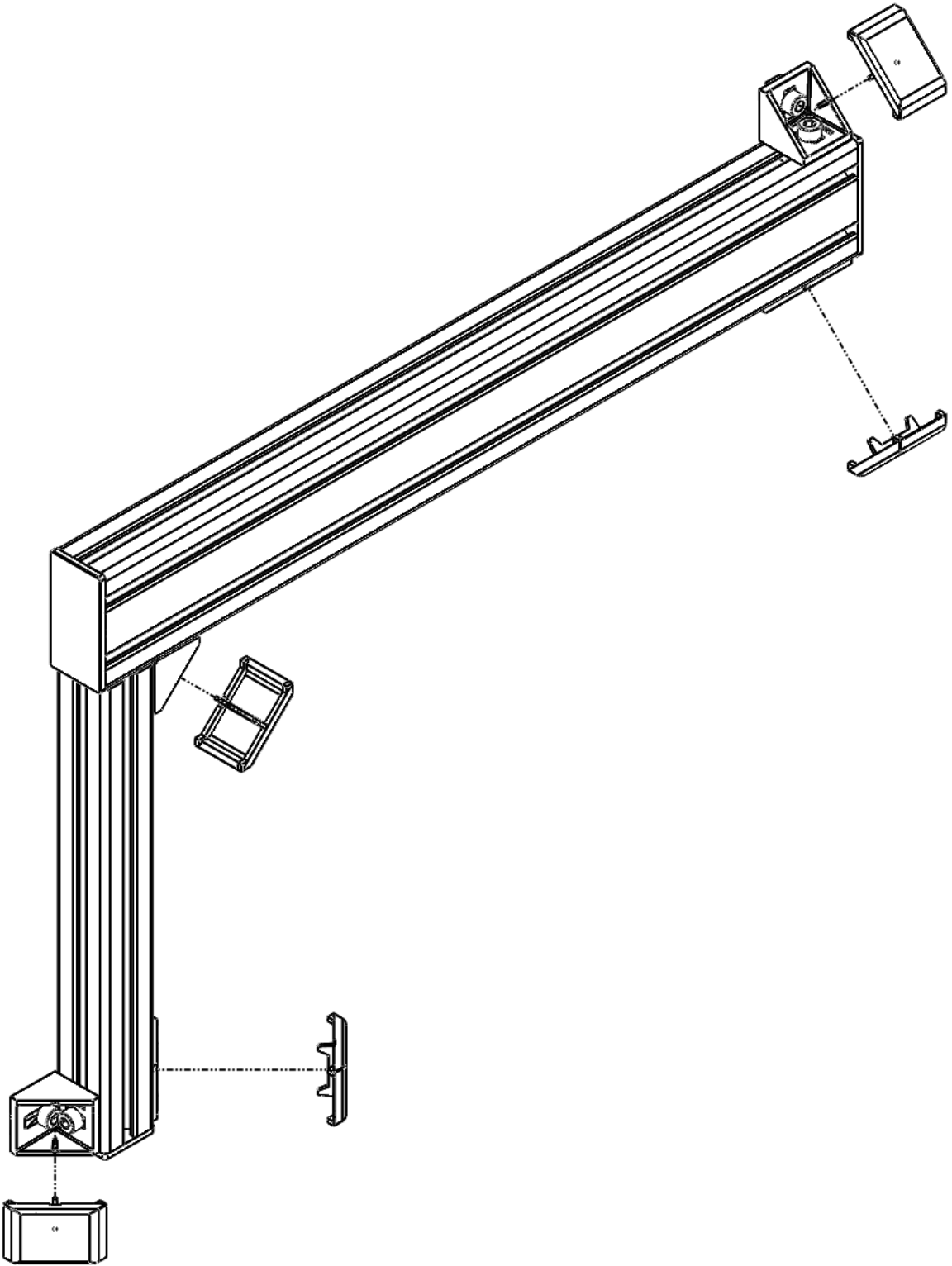


TREQ

7



(5x)



TREQ