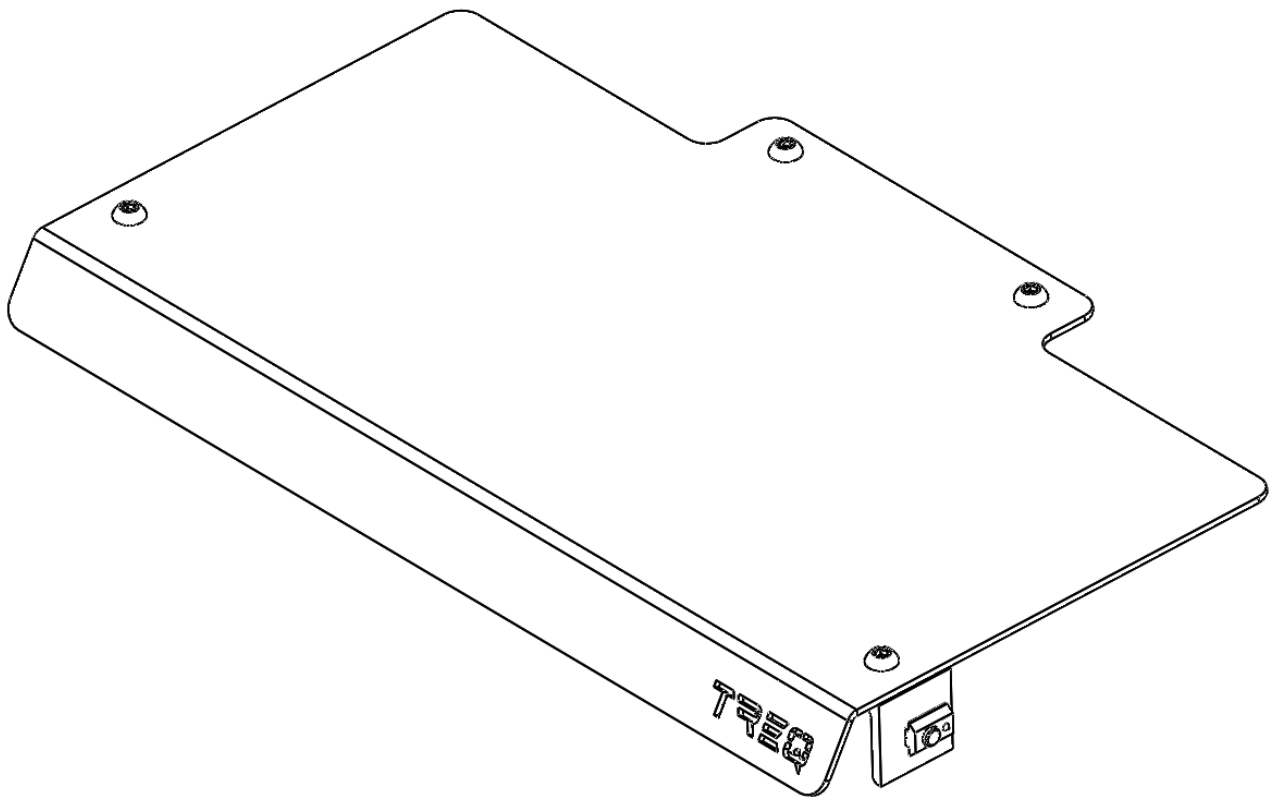
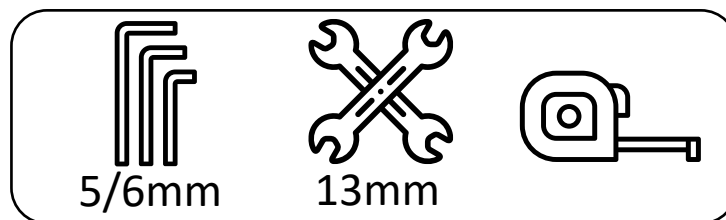


SIM RIG FLOOR

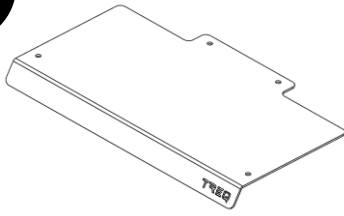
INSTRUCTION MANUAL



REQUIRED TOOLS:

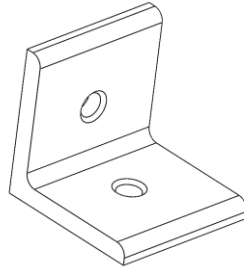


1



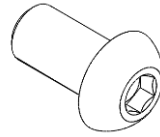
Floor Plate

1x



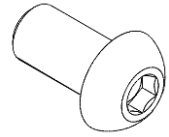
L-Bracket

2x



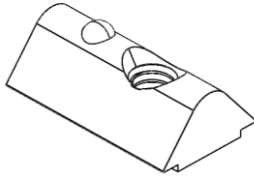
M8x12

2x



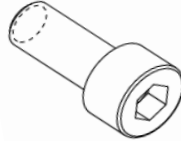
M8x16

2x



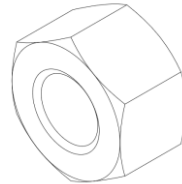
Click-in Nut M8

4x



M8x16

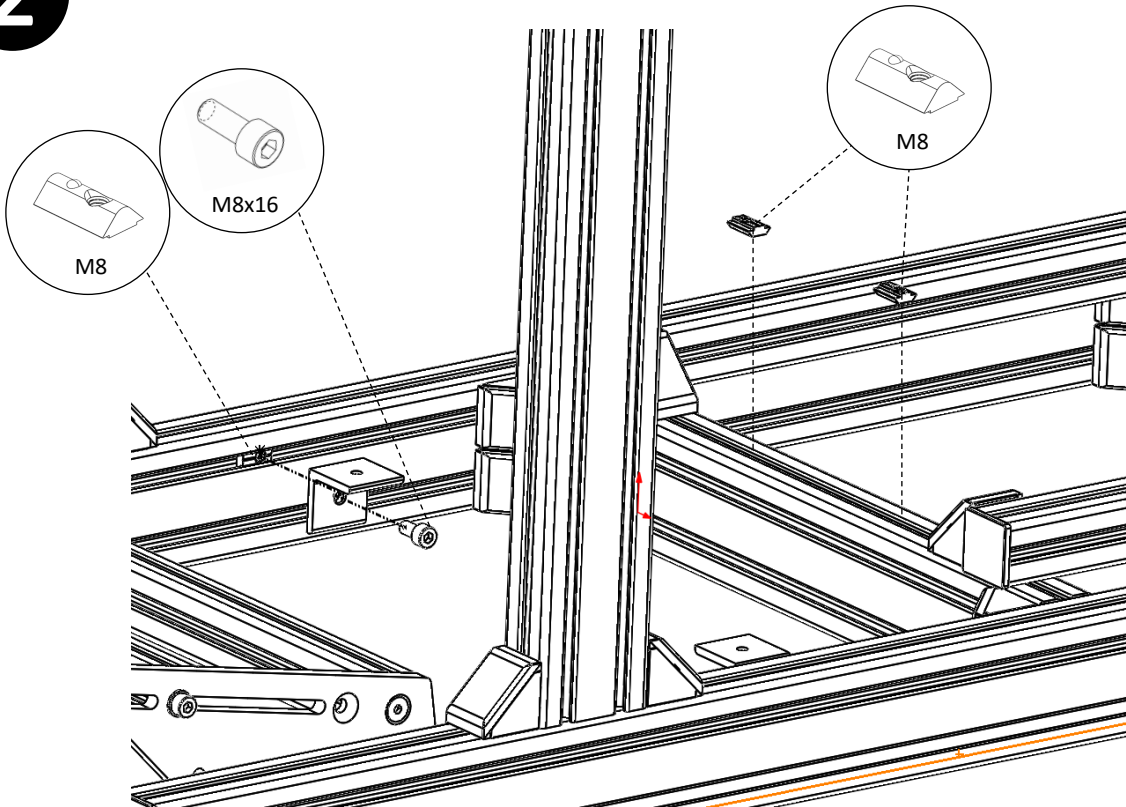
2x



Nut M8

2x

2



TREQ

3

