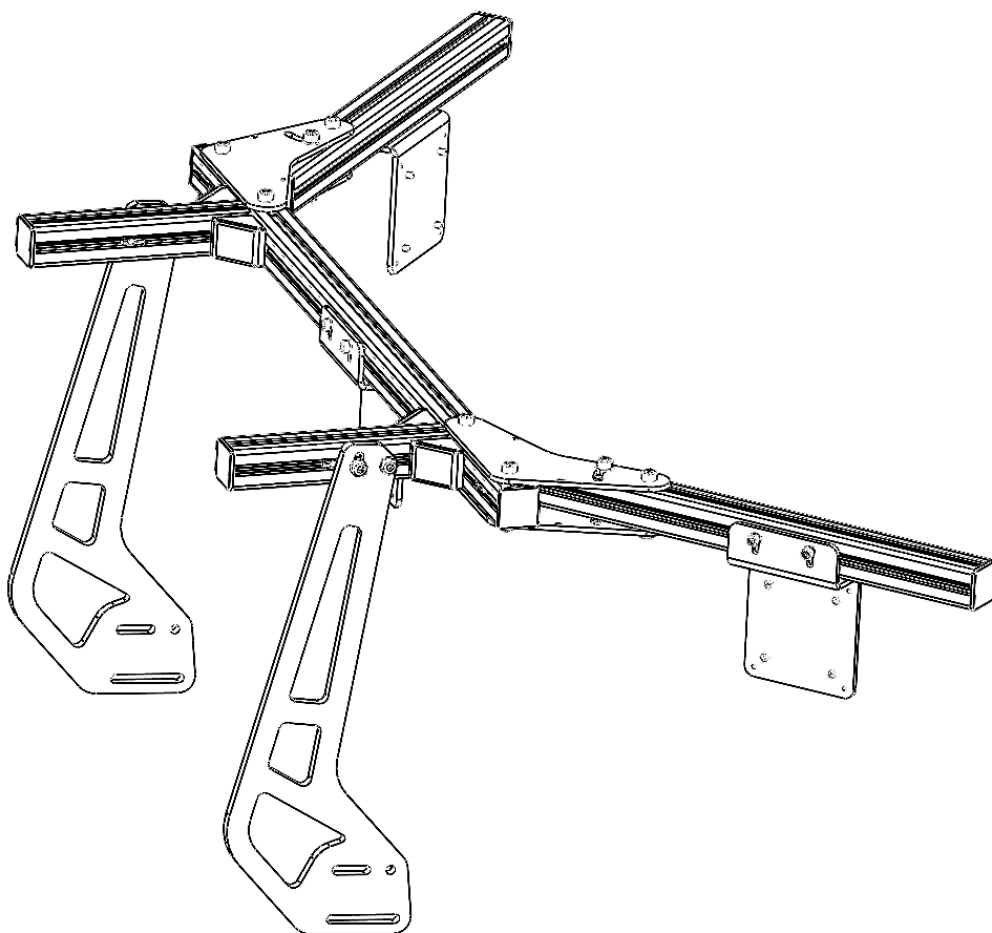


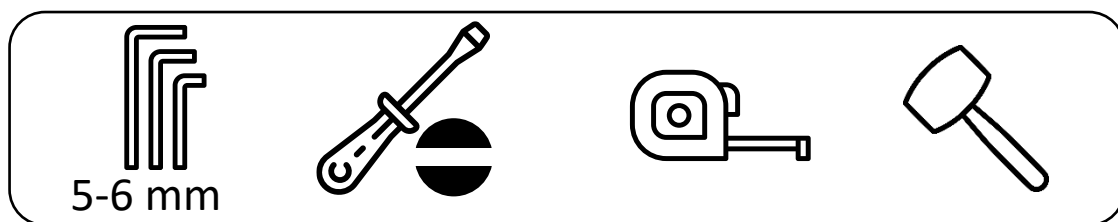
SINGLE TO TRIPLE SCREEN KIT

2 VESA PLATES

INSTRUCTION MANUAL

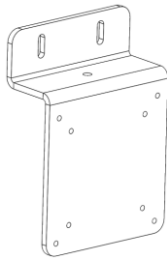


REQUIRED TOOLS:



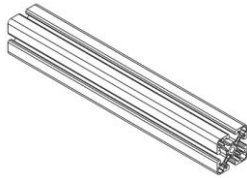
TREQ

1



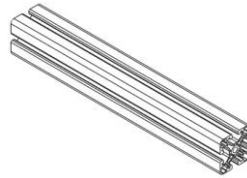
Monitor Bracket

2x



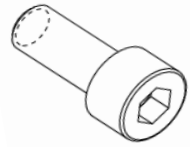
Profile 4040 L=1185

1x



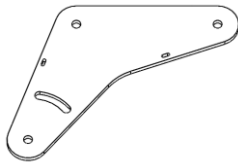
Profile 4040 L=500

2x



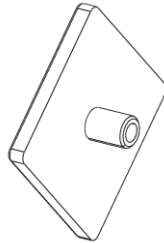
M8x16 Black

16x



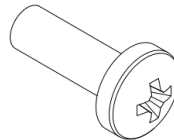
Bracket

4x



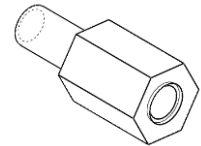
Cover 4040

6x



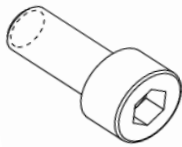
M4x12

8x



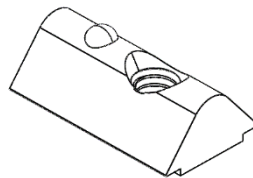
Spacer M4x10

8x



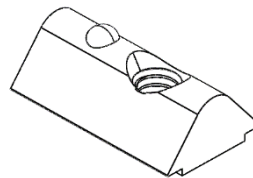
M6x16

6x



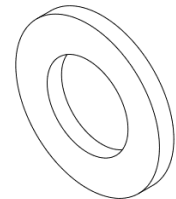
Click-in Nut M6

6x



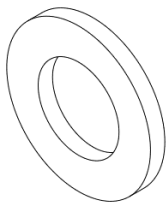
Click-in Nut M8

16x



Plain Washer M8

4x



Plain Washer M6

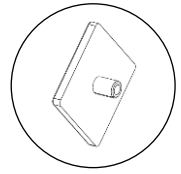
6x

TREQ

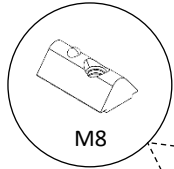
2



Left profile 4040 L=500

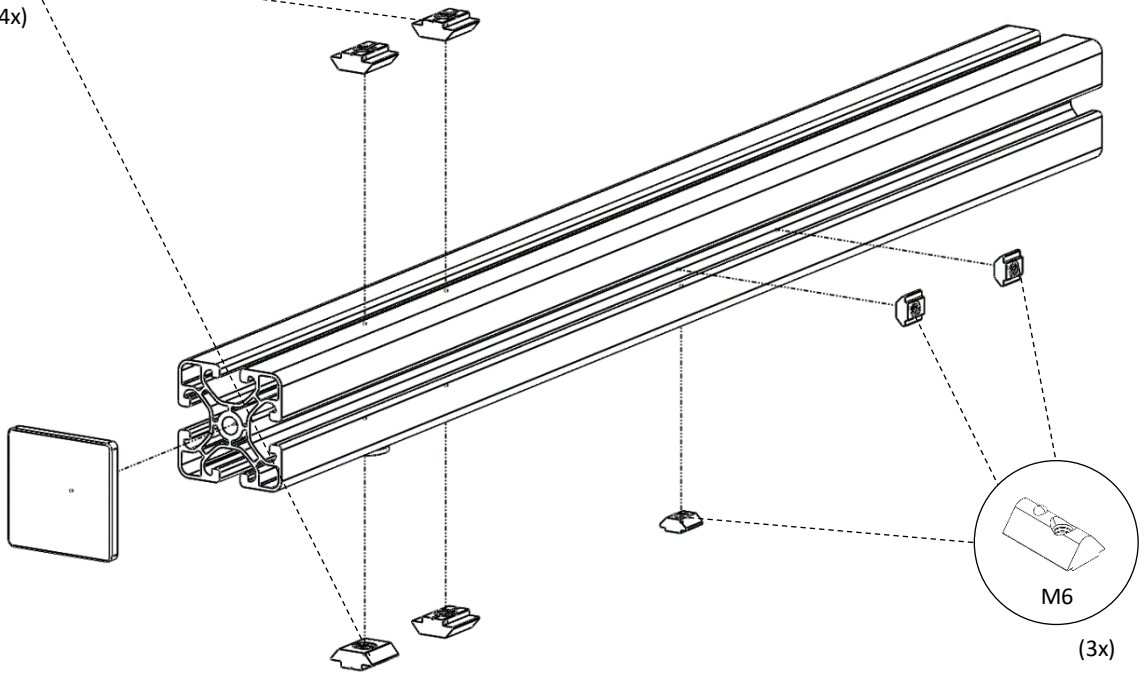


(1x)



M8

(4x)



M6

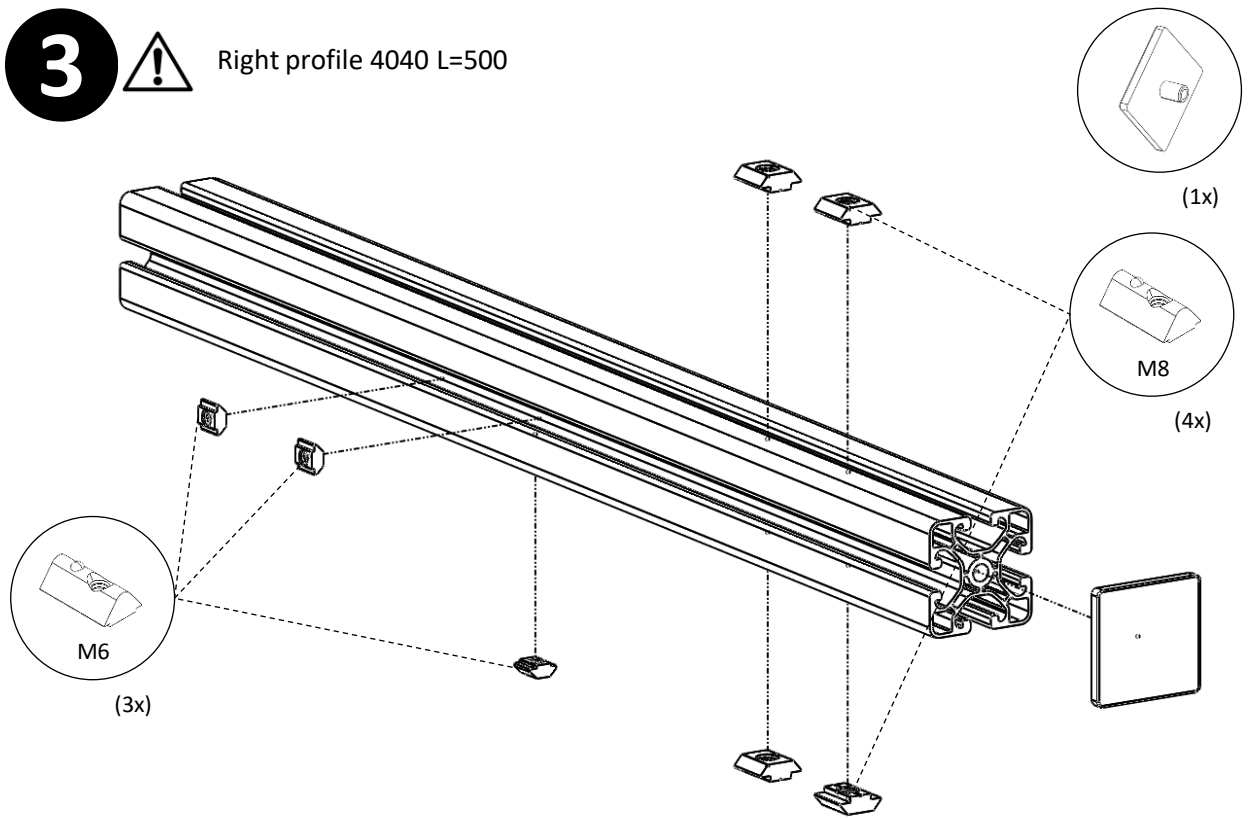
(3x)

TREQ

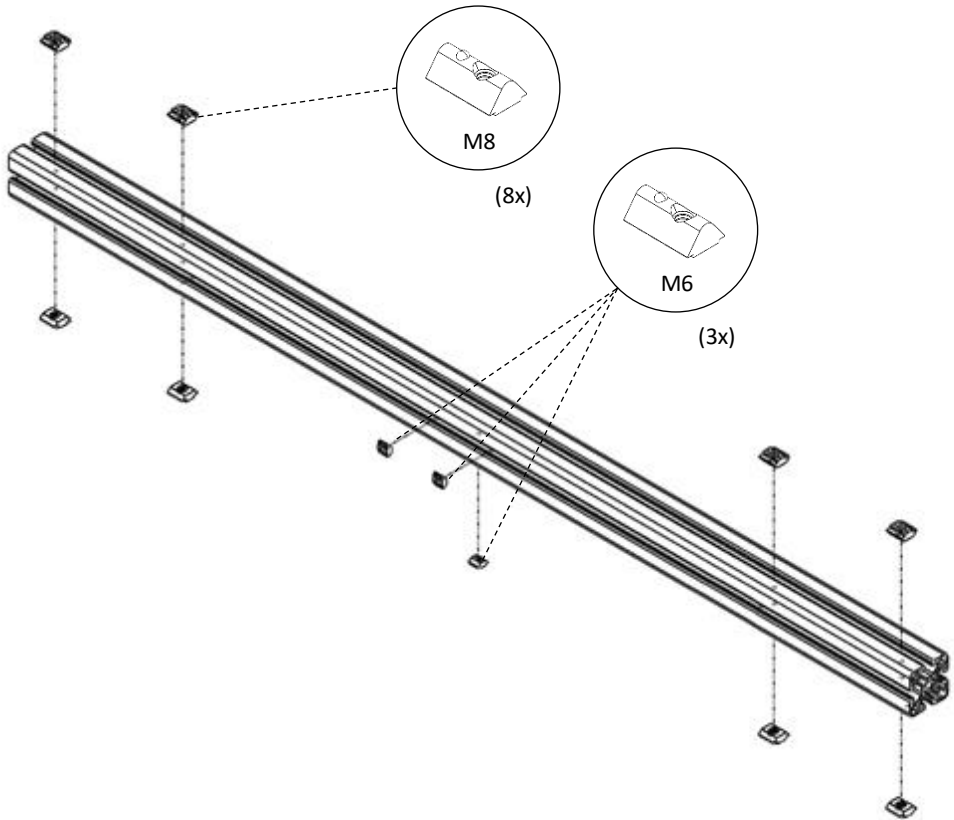
3



Right profile 4040 L=500



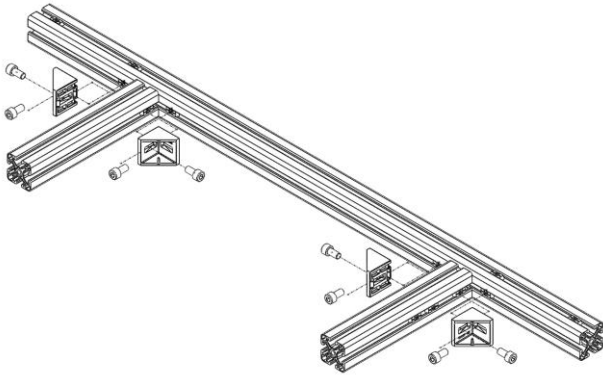
4



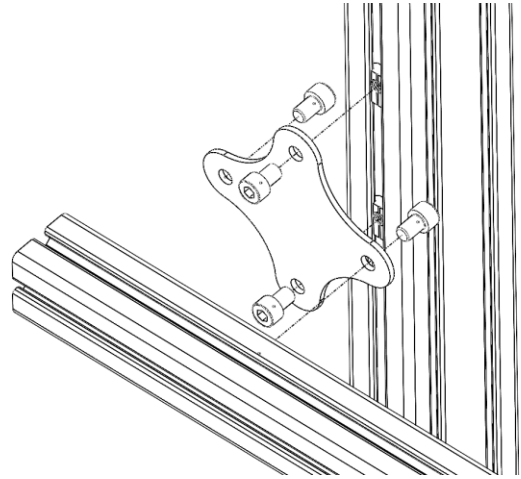
TREQ

6

Mount the 4040 L=950 profile to your existing Unified profiles, or to your Stand.

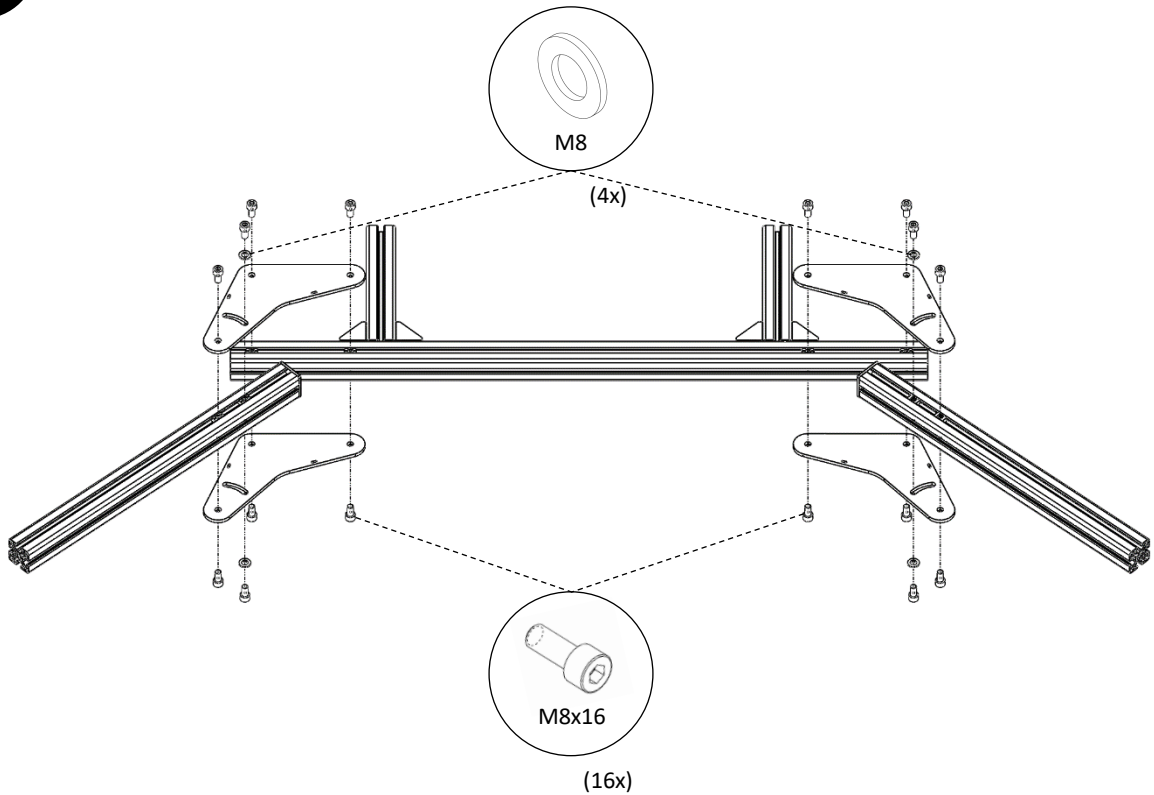


Option A: Mount it to the Unified Single Monitor Mount



Option B: Mount it to the Single Monitor Stand

7

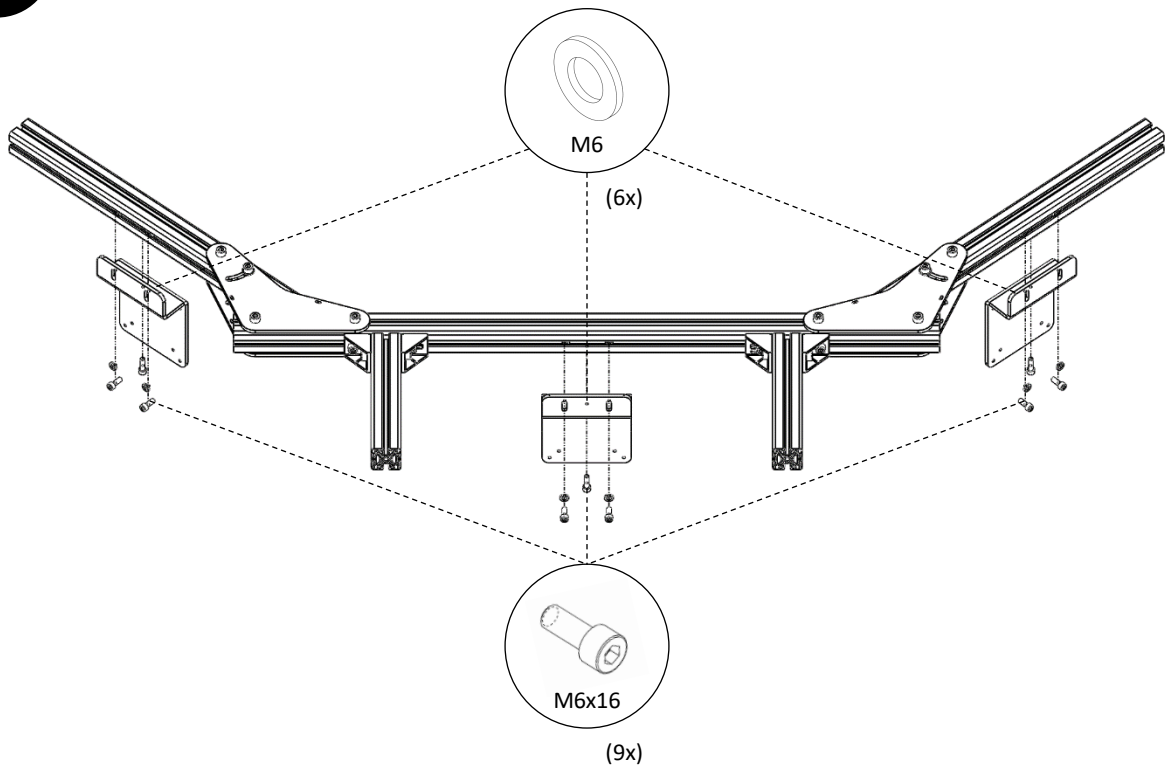


TREQ

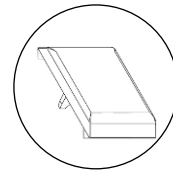
8



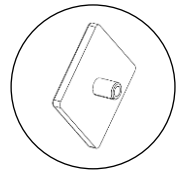
VESA brackets can be mounted up- or downwards.



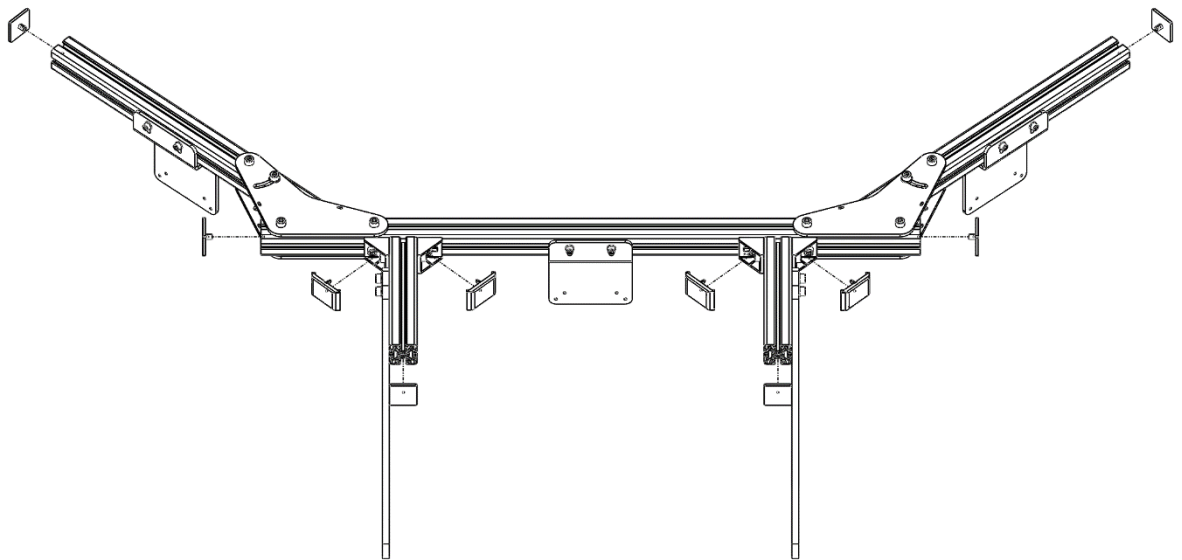
9



(4x)



(6x)

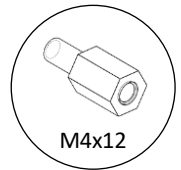


TREQ

10

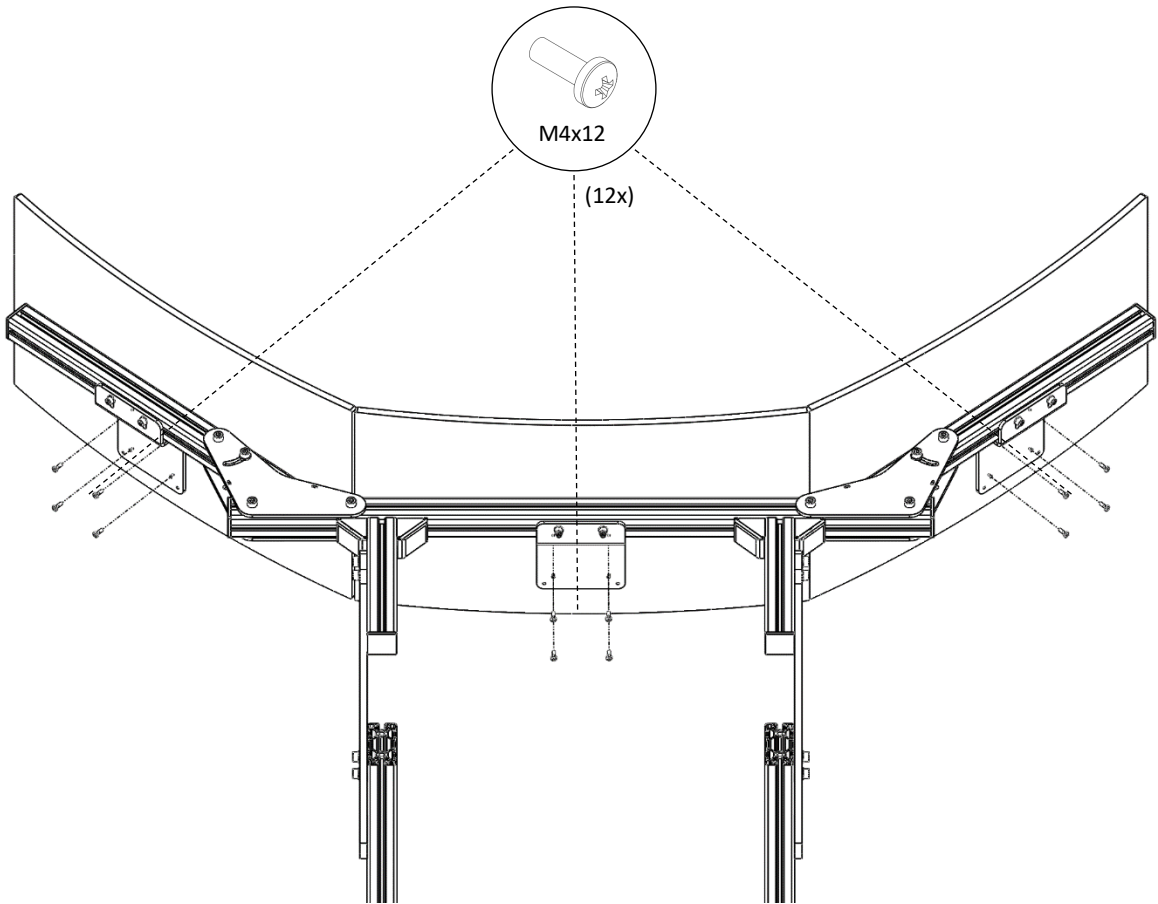


If necessary, use M4x10 spacers (included in package)



M4x12

(12x)



TREQ