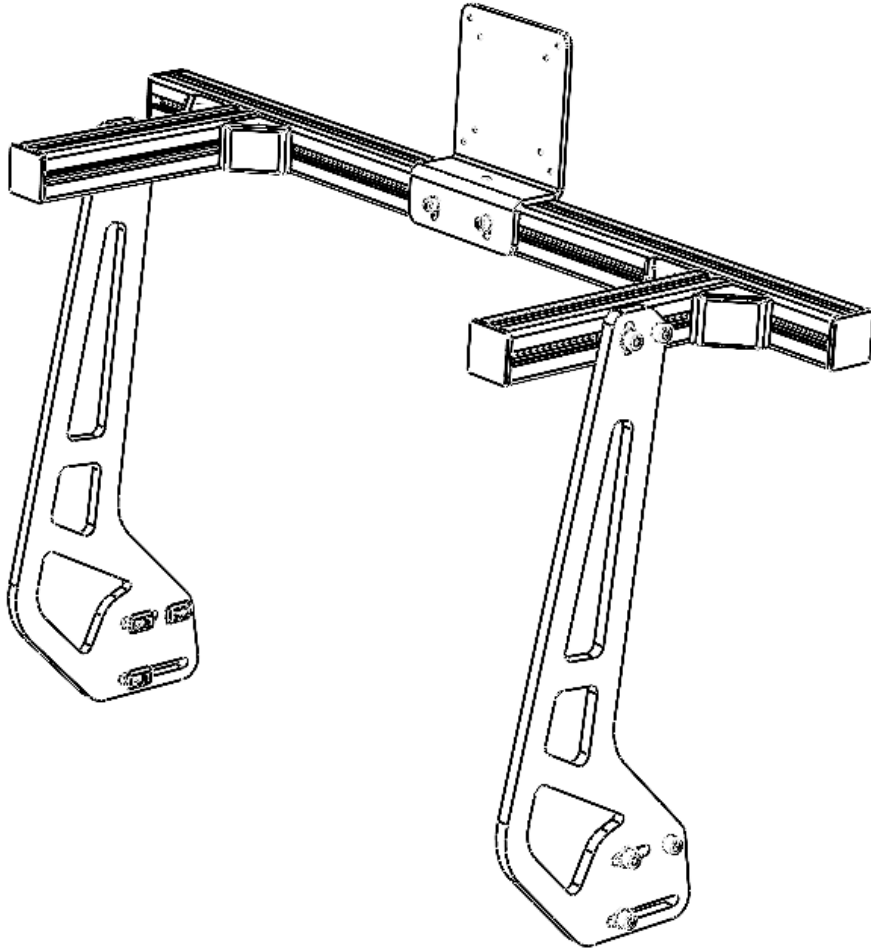
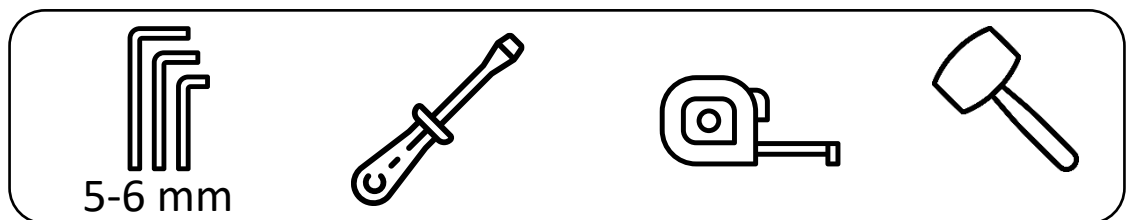


UNIFIED SINGLE MONITOR MOUNT

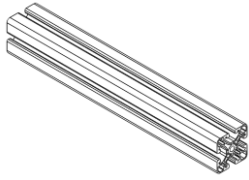
INSTRUCTION MANUAL



REQUIRED TOOLS:

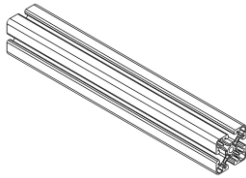


1



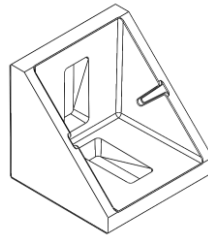
Profile 4040 L=220

2x



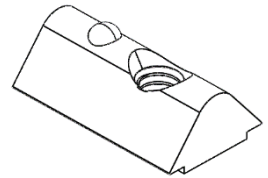
Profile 4040 L=780

1x



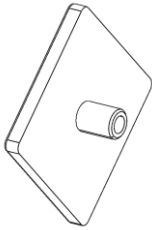
Corner 4040

4x



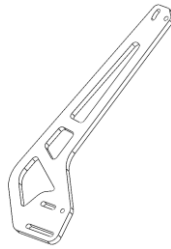
Click-in Nut M8

18x



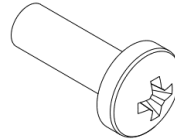
Cover 4040

4x



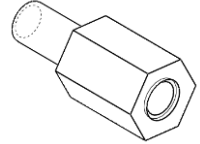
Bracket

2x



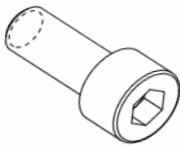
M4x12

4x



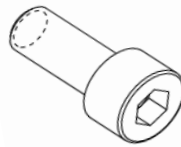
M4 Spacer

4x



M8x20 (Black)

10x



M8x16

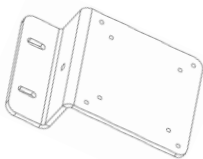
8x



Plain Washer M8

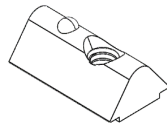
10x

STANDARD VESA KIT:



VESA Bracket

1x



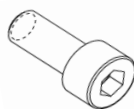
Click-in Nut M6

2x



Plain Washer M6

2x

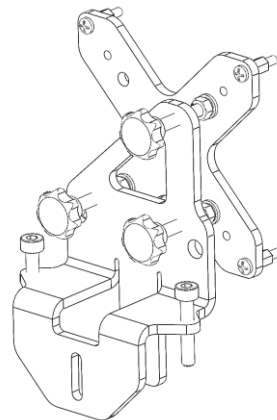


M6x16

2x

EASY ALIGNMENT KIT:

(separate manual)

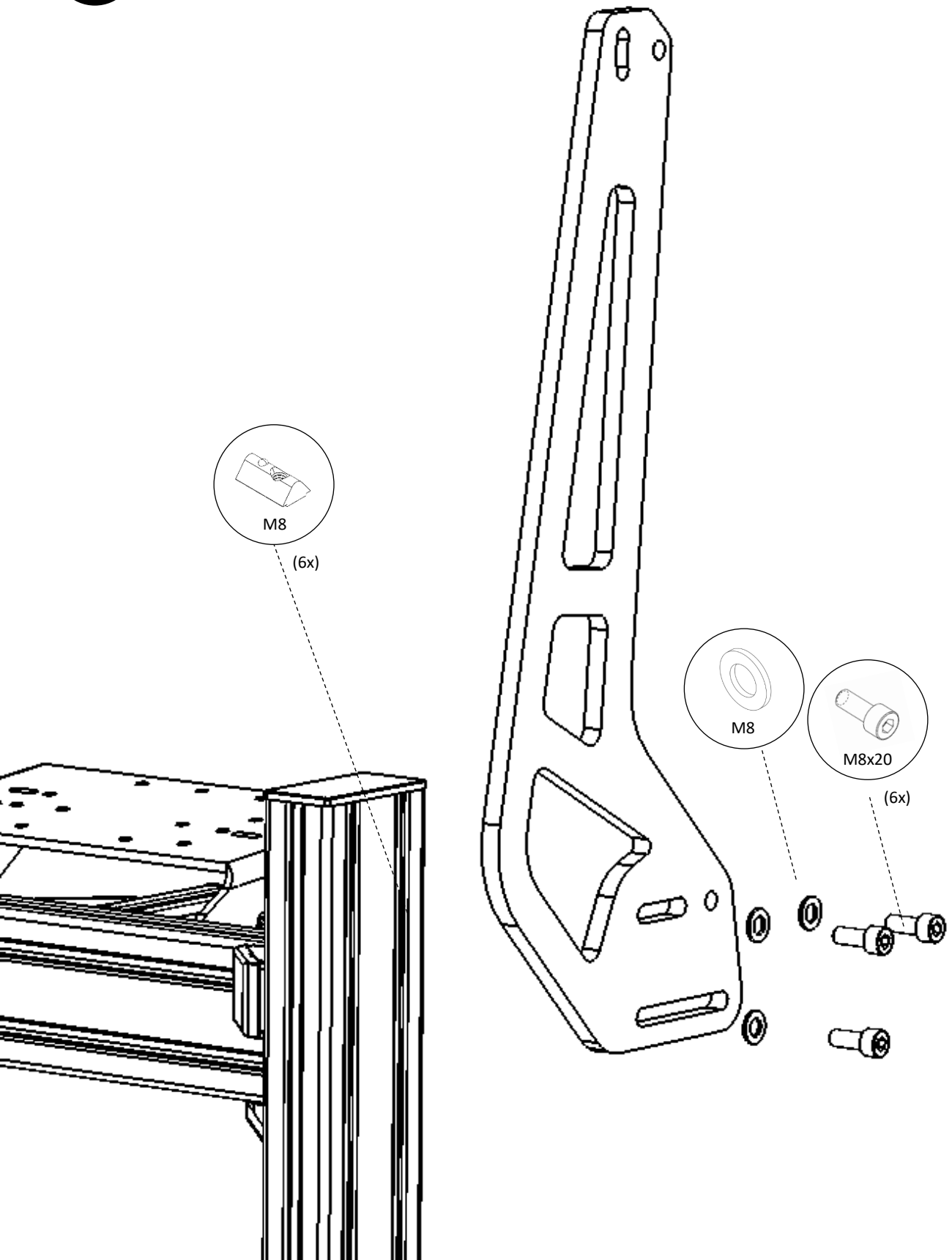


1x

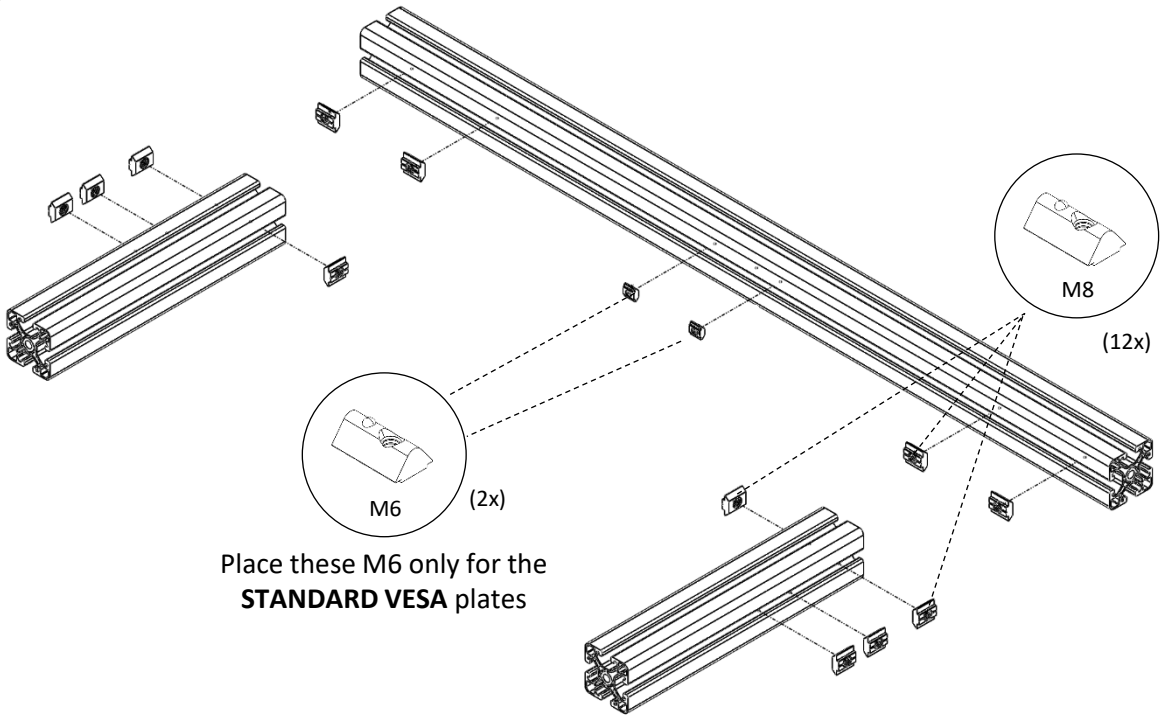
2



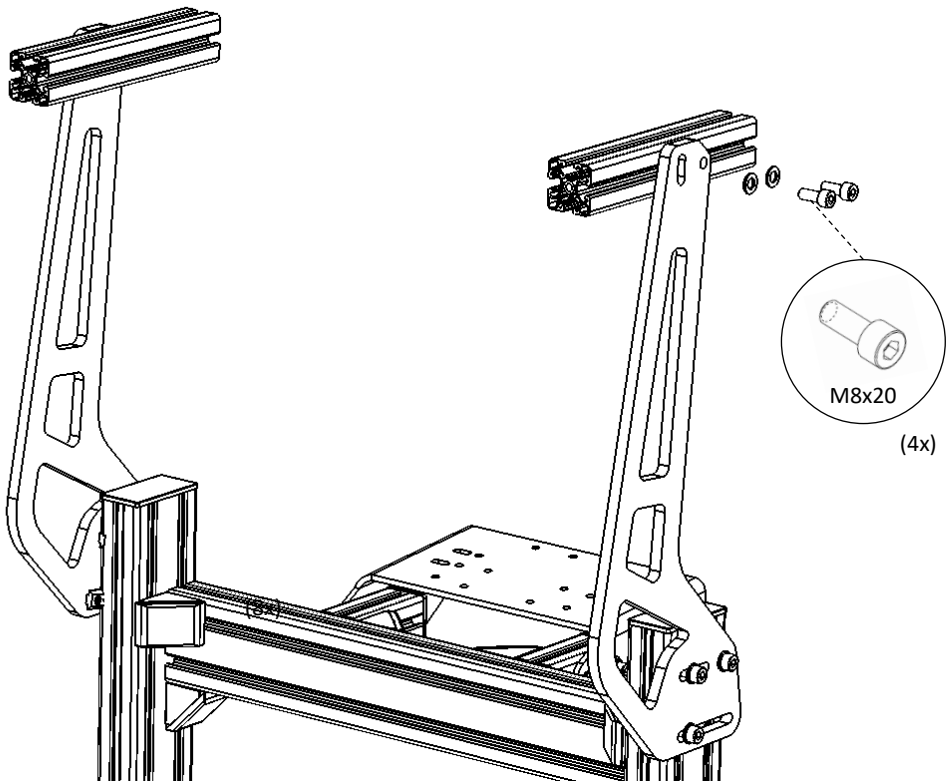
Mount both brackets to the upright profiles of your rig, using the black M8x20 bolts and the M8 washers.



3



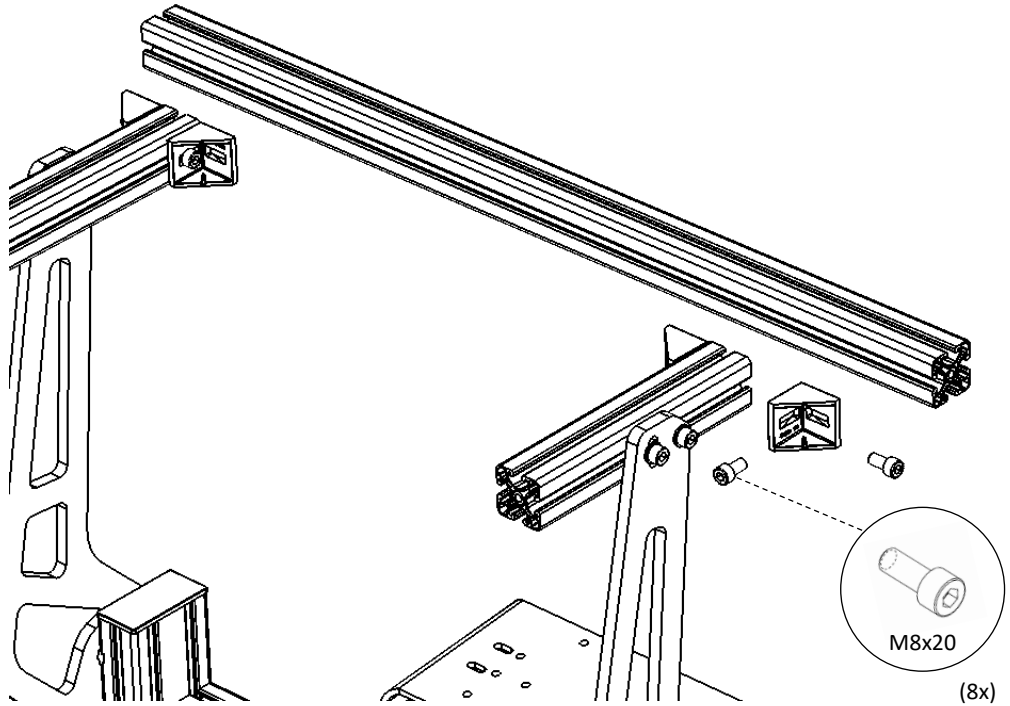
4



5



Mount the 40x40 L=780 profile using the 4 corner brackets, together with the 8 M8x16 bolts.

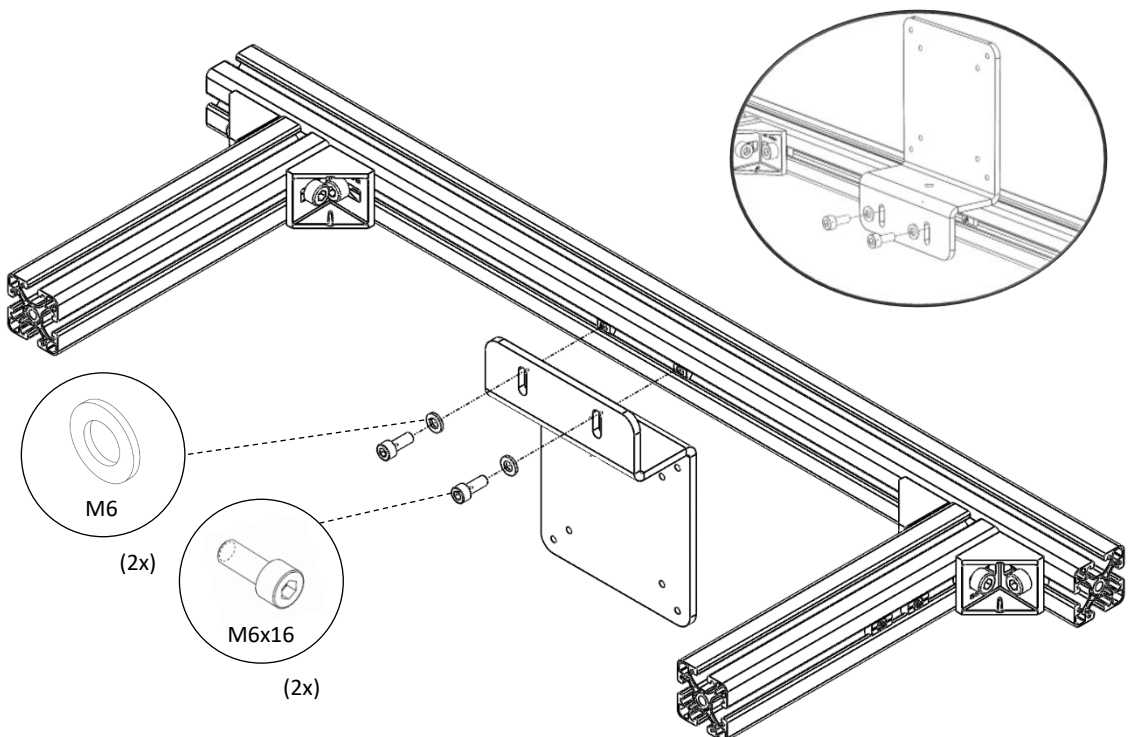


6



VESA bracket can be mounted up- or downwards. For screens > 27" we recommend mounting it upwards.

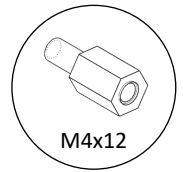
If you own a Unified Single Mount with the **EASY MONITOR ALIGNMENT KIT**, please see skip this step and see that manual for detailed mounting instructions.



7

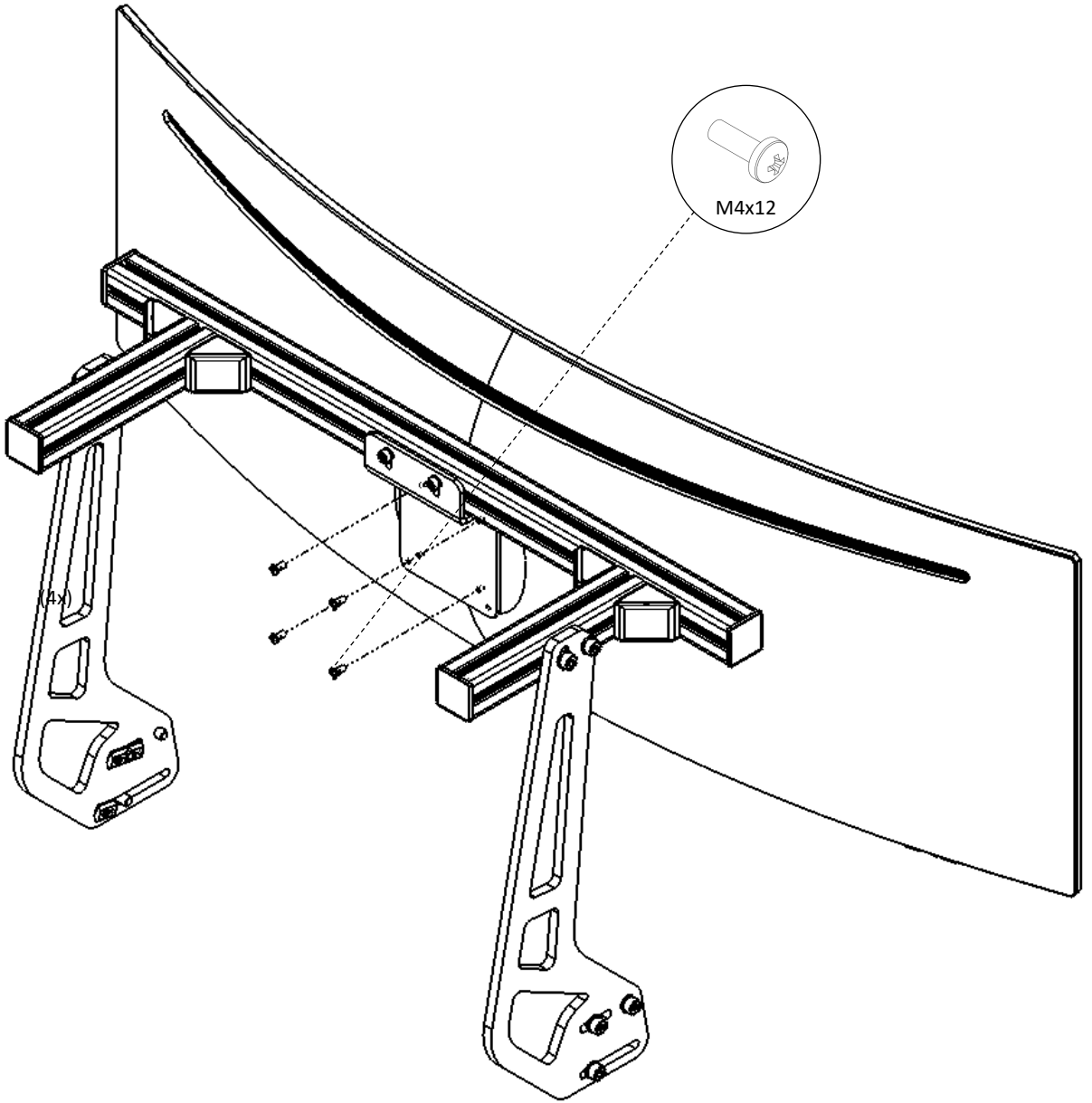


If necessary, use M4x10 spacers (included in package)



M4x12

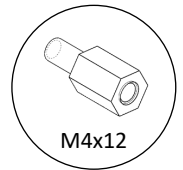
(4x)



8



If necessary, use M4x10 spacers (included in package)



M4x12

(4x)

