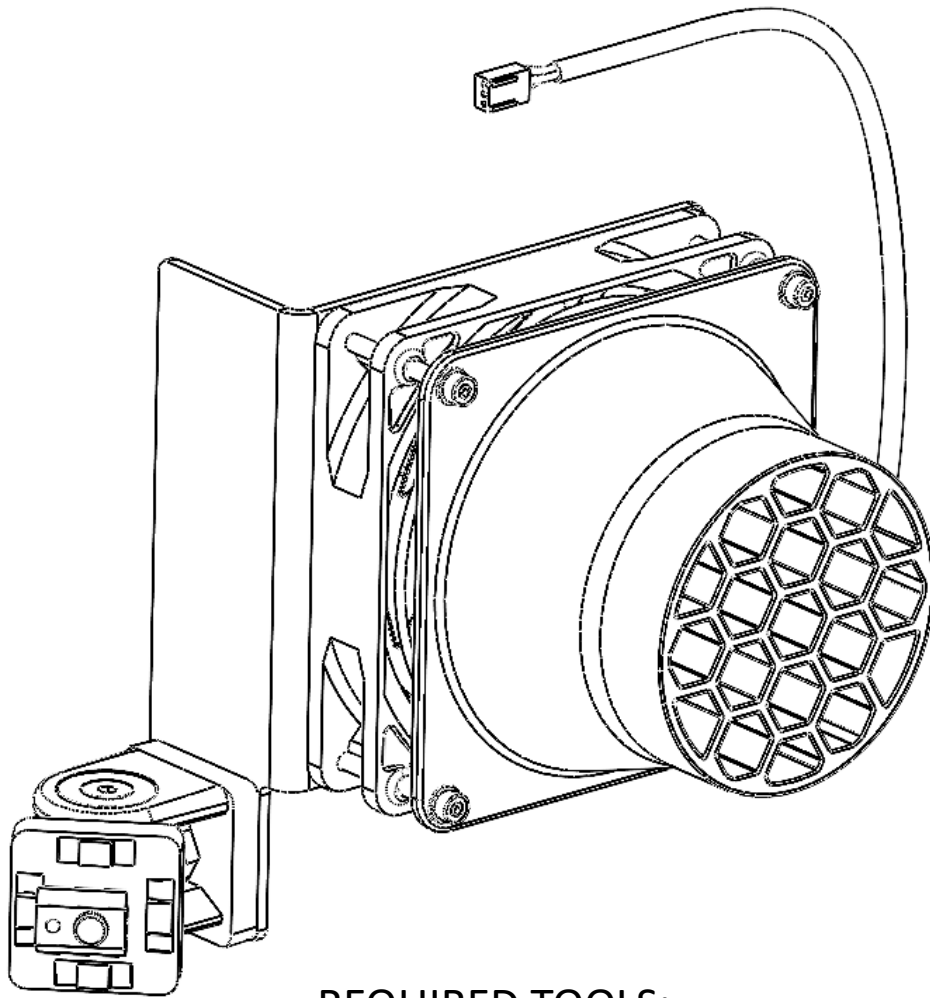


# WIND SIM MOUNT

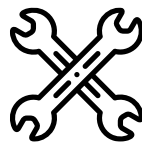
## INSTRUCTION MANUAL



REQUIRED TOOLS:



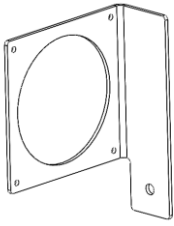
3-6 mm



7 mm

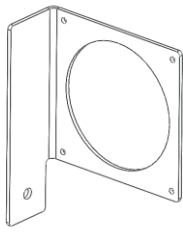


**1**



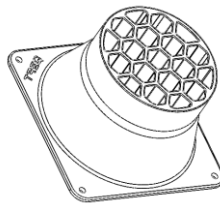
Left Plate

**1x**



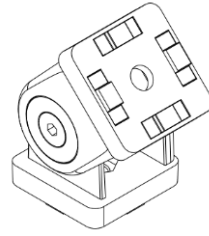
Right Plate

**1x**



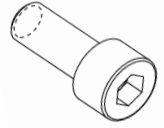
Diffuser

**2x**



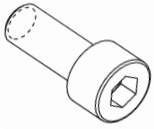
Hinge 4040

**2x**



M8x16

**4x**



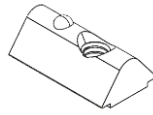
M4x40

**8x**



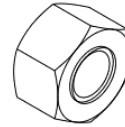
Plain Washer M4

**16x**



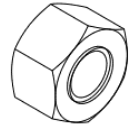
Click-in Nut M8

**2x**



Nut M8

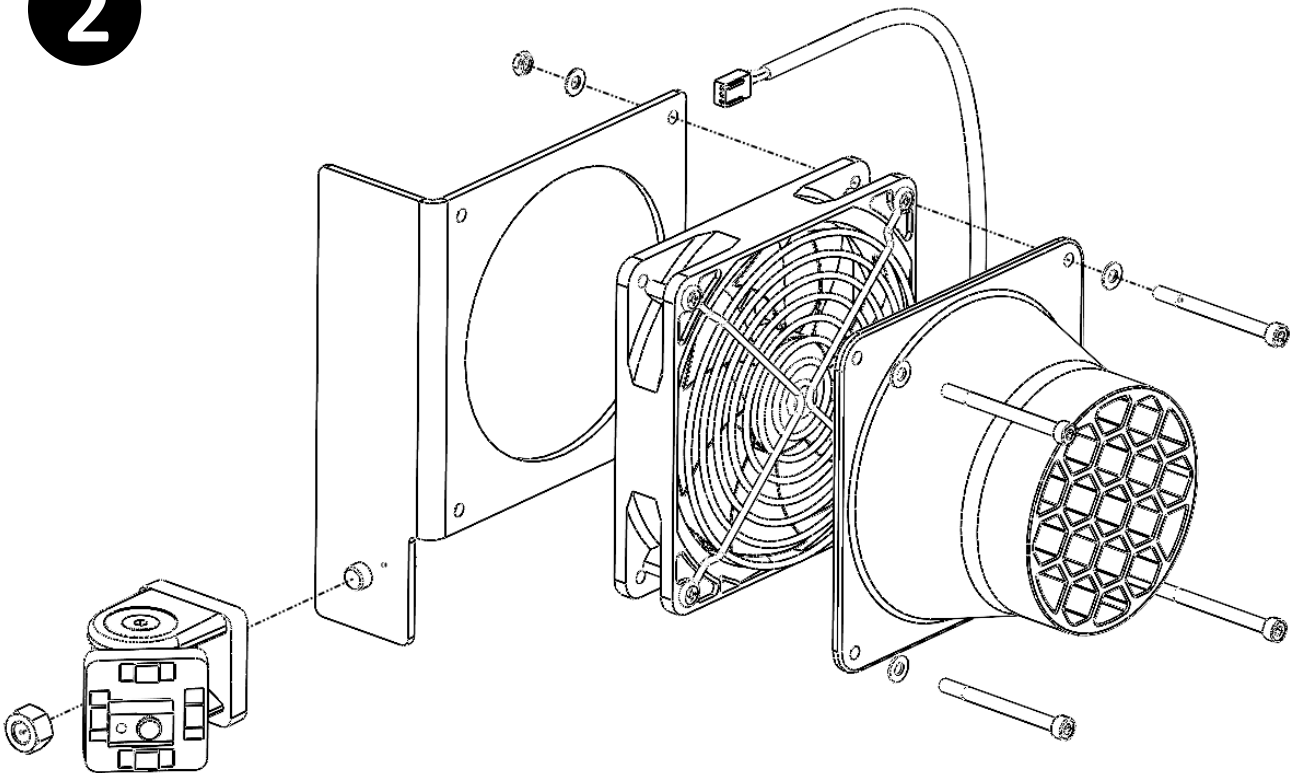
**2x**



Nut M4

**8x**

**2**



**TREQ**